

52-FR-4-STAMP



Catalogue Series 50



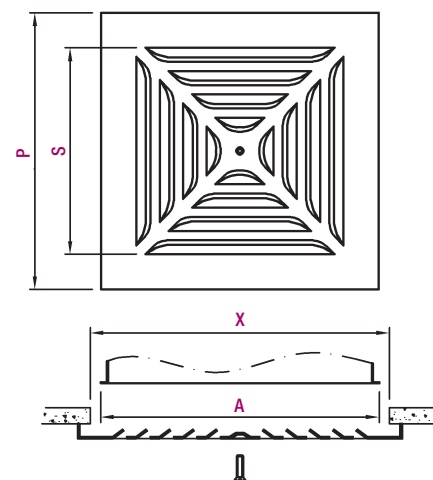
Square diffuser

Product description

Stamped square diffuser with stationary central core for air supply in four directions, Koolair **52-FR-4-STAMP** model, nominal dimension x mm, suitable for cold and hot air supply.
Air flow pattern in 4 directions.
Recommended installation height of 2.5 to 4 m.

Mounting

- PDS-RE.** Top connection plenum box made in galvanised steel sheet, without insulation.
- PDL-RE.** Side connection plenum box made in galvanised steel sheet, without insulation.
- PDS-A-RE.** Top connection plenum box made in galvanised steel sheet, insulated.
- PDL-A-RE.** Side connection plenum box made in galvanised steel sheet, insulated.

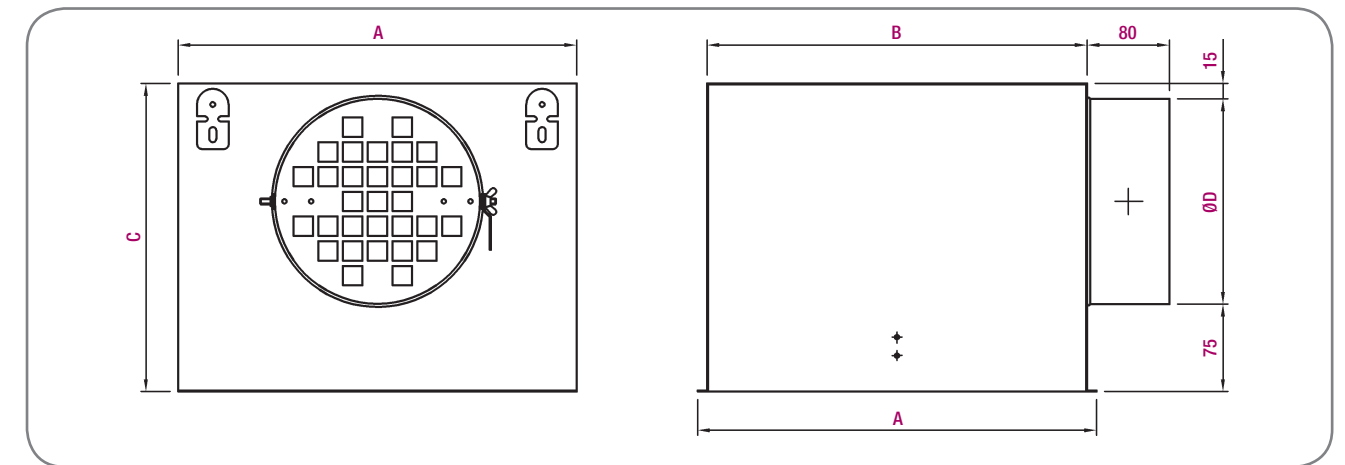


Dimensions

Nominal	A	P	S	X
150	215	295	182	190
225	290	370	257	265
300	365	445	332	340
375	440	520	407	415
450	515	595	482	490
500	590	625	557	565
525	590	670	557	565
600	665	745	632	640

Unit in mm

General dimensions (side connection plenum)



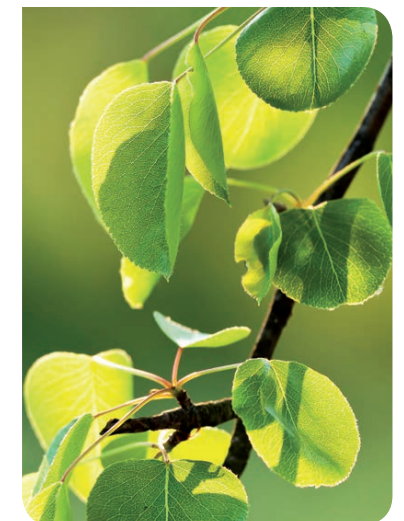
Custom plenums available to suit reduced heights above false ceilings.

Nominal	A (Ext.)	B	C	Ø D (Ext.)
150	215	195	214	124
225	290	270	249	159
300	365	345	269	199
375	440	420	339	249
450	515	495	404	314
500	590	570	404	314
525	590	570	404	314
600	665	645	444	354

Unit mm

Selection table

Nominal	Q (m³/h)	L _{WA} [dB(A)]	ΔP _t (Pa)	X (m)	V _k (m/s)
150	120	24	6	0,8	1,6
	165	32	12	1,0	2,2
	230	40	23	1,5	3,1
225	185	24	4	0,9	1,2
	260	32	7	1,2	1,8
	360	40	14	1,7	2,4
300	340	24	8	1,5	2,2
	460	32	14	2,0	2,9
	650	40	28	2,8	4,2
375	435	24	4	1,8	2,4
	590	32	7	2,4	3,3
	840	40	15	3,4	4,7
450	525	24	3	1,9	2,4
	710	32	6	2,6	3,2
	990	40	11	3,6	4,5
500 / 525	715	24	4	2,3	2,4
	990	32	7	3,2	3,4
	1350	40	13	4,3	4,6
600	1250	24	6	3,4	3,1
	1750	32	11	4,7	4,3
	2500	40	23	6,8	6,2



LEGEND

- Q (m³/h): Air flow.
- L_{WA} [dB(A)]: Sound power level.
- ΔP_t (Pa): Total pressure loss.
- X (m): Throw for a maximum velocity of 0.25 m/s at the occupied zone ΔT = -10 °C (cold), installed at a height of 3m.
- V_k (m/s): Effective velocity.