

## Difusor DAFC-Q-PR

Difusor rotacional de aleta fija curvilínea  
con chapa perforada.

*Fix curved blade swirl diffuser with  
perforated plate.*

# Difusor DAFC-Q-PR

## Descripción

Difusor rotacional de aleta fija curvilínea especialmente diseñado para impulsión y retorno de aire. Consiste en una placa perforada con un difusor rotacional de aleta fija curvilínea en el interior. La placa puede ser fija o abatible.

La dimensión estándar de la placa es de 595x595 mm, aplicable para techo modular o decalado. Para techos de perfilera oculta la placa será de 599x599 mm

## Aplicación

Difusor con altos caudales de impulsión y baja velocidad en zona ocupada.

Difusor recomendado para una altura de instalación entre 2,5 y 3,5 m

## Acabados

Pintado en blanco RAL 9010.

Acabados especiales bajo demanda.

## Description

*The fixed curved blade swirl diffuser integrated with a perforated plate has been developed for supply and extract applications. The diffuser consists of a fixed perforated plate or hinged for easy access from the diffuser face, with a fixed curved swirl diffuser on the rear.*

*The standard plate dimension is 595x595 mm overall which is suitable for 'Lay in' or 'tegular' tile replacement ceilings. It can also be manufactured 599x599 overall to suit 'burgess clip' type ceilings*

## Application

*Increasingly stringent design requirements including higher supply flow rates, lower velocities, thermal gradients in the occupied zone and also the aesthetics (smoother incorporation in the interior design) have generally made swirl diffusers a better choice for air diffusion. This is due to its high induction rate which can reduce velocities, air flow and obtaining better thermal gradient conditions in the occupied zone.*

*The recommended mounting height is around 2,5 to 3,5 metres, and the distance between the two axes of the diffusers is 2 and 4 metres, this will depend on the air flow of each diffuser.*

*Standard finish is RAL 9010.*

## Koolair, S.A.

Polígono Industrial 2, La Fuensanta

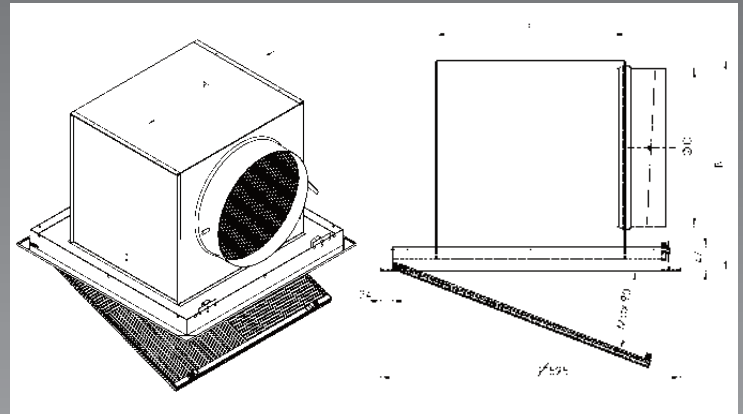
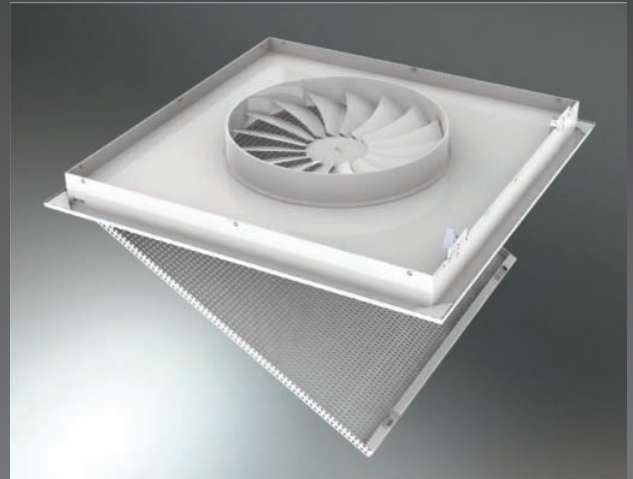
28936 Móstoles (Madrid)

Tel.: 34 91 645 00 33. Fax: 34 91 645 69 62

info@koolair.com

www.koolair.com

# KOOLAIR



## DIMENSIONES / DIMENSIONS

Modelo / Model	A	B	ØD	E
125	165	195	99	147
160	199	220	124	181
200	239	245	159	221
250	289	275	199	271
315	355	275	199	337
355	394	345	249	376
400	439	345	249	421
500	540	394	314	522

## TABLA SELECCIÓN RÁPIDA / QUICK SELECTION TABLE

Tamaño / Size	CAUDAL/AIR FLOW - POTENCIA SONORA/SOUND POWER - PÉRDIDA DE CARGA-P <sub>f</sub> /PRESSURE DROP-P <sub>t</sub>					
	m <sup>3</sup> /h (Pa)					
	20 dB(A)	25 dB(A)	30 dB(A)	35 dB(A)	40 dB(A)	45 dB(A)
125	31 (7)	37 (11)	45 (16)	54 (23)	65 (34)	78 (49)
160	43 (5)	52 (8)	64 (13)	78 (19)	95 (28)	116 (41)
200	60 (4)	75 (6)	93 (10)	116 (15)	144 (23)	179 (36)
250	87(3)	108 (5)	134 (7)	166 (12)	205 (18)	255 (29)
315	147 (5)	178 (7)	215 (12)	259 (17)	313 (24)	378 (35)
355	168 (4)	205 (6)	251 (10)	306 (14)	374 (21)	475 (32)
400	194 (4)	236 (6)	288 (8)	351 (13)	428 (19)	521 (29)
500	277 (4)	335 (6)	406 (8)	491 (13)	596 (19)	720 (29)