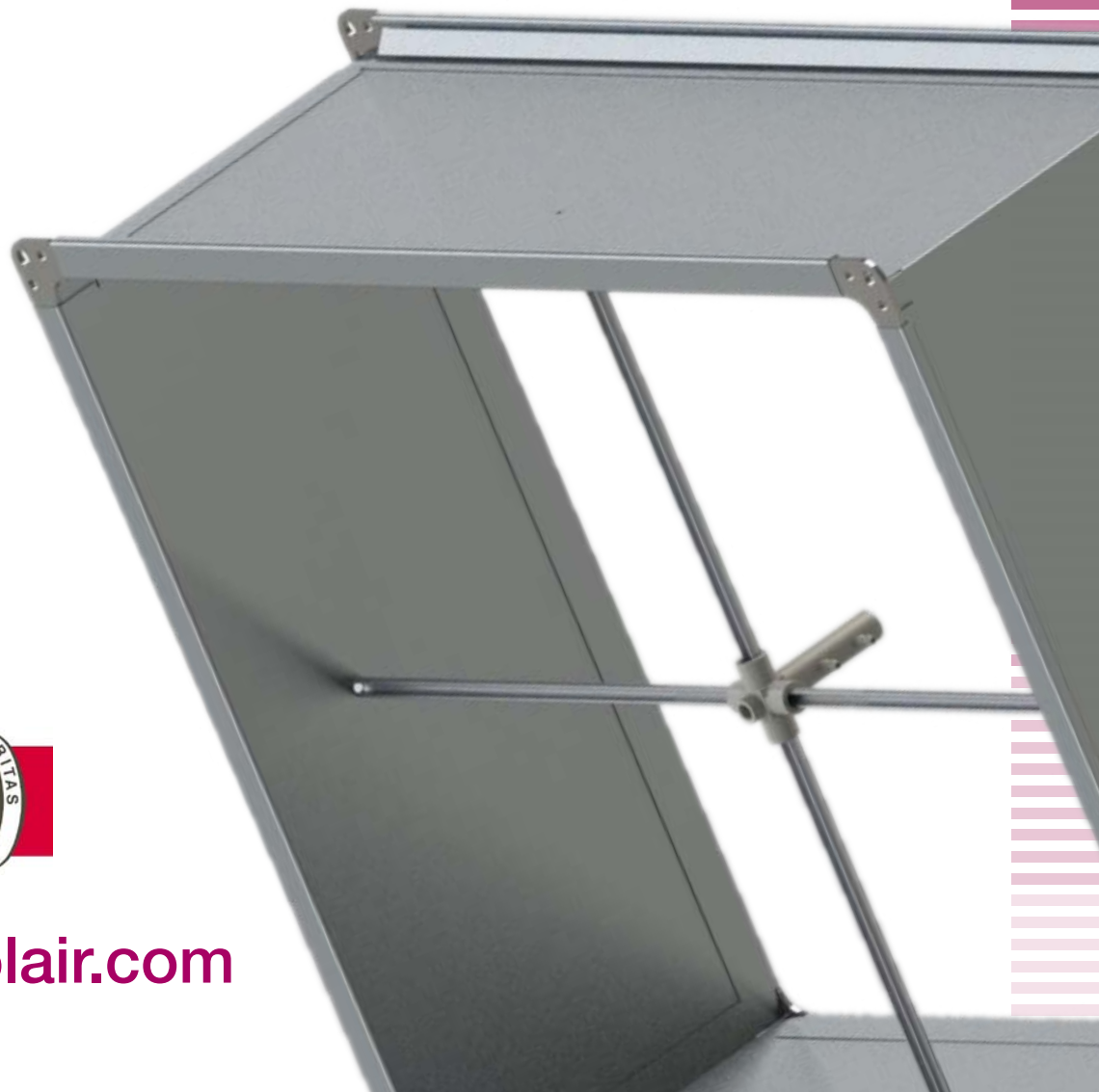


KOOLAIR

series

MEASUREMENT STATIONS



ISO 9001

BUREAU VERITAS
Certification

Sistema de Gestión



www.koolair.com

Measurement stations

CONTENTS

Description and product code	2
Installation and flow measurement	3

Measurement stations

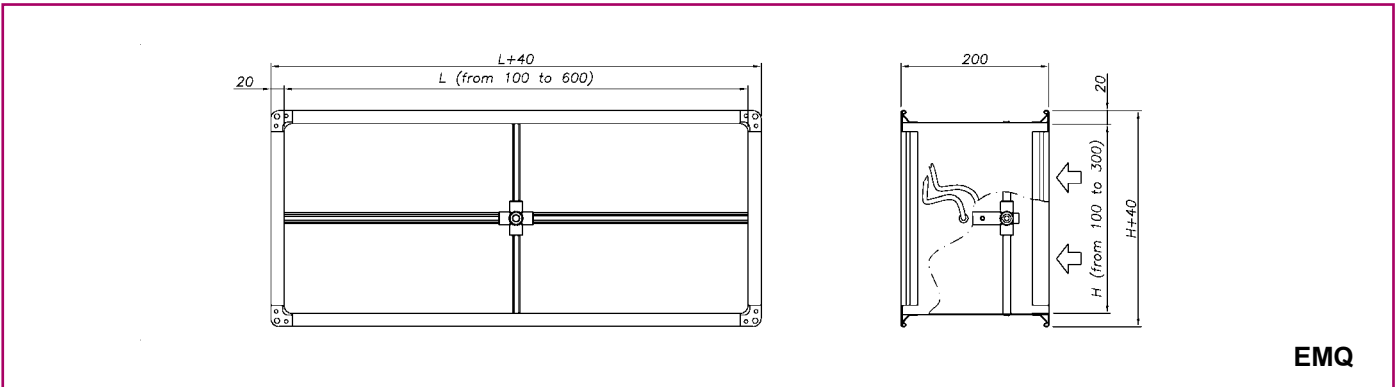


Description

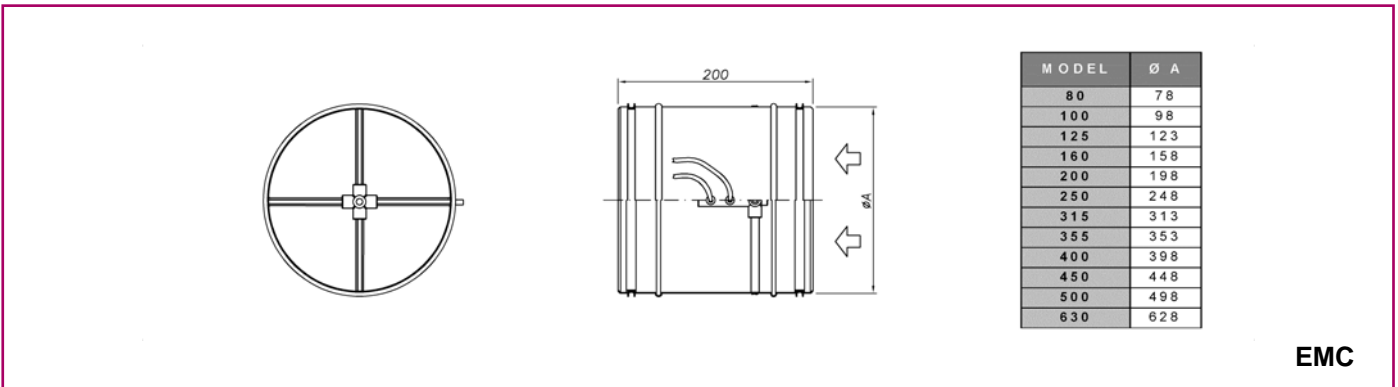
The Koolair model EM measurement stations are elements designed to measure the air volume which passes through it. The EMC casing is circular with diameters from 80 to 630 mm, corresponding to the normalised diameters for circular ducts.

The EMQ casing is rectangular with dimensions LxH mm. In the inlet duct a cross-shaped probe is installed to measure the differential pressure that varies with the air volume entering the unit.

The casing of the regulator is made from galvanized sheet metal and the cross-shaped tubes in aluminum. They can be installed either in a vertical or horizontal position. It conforms to class C classification for casing leakage according to EN 1751.



EMQ



EMC

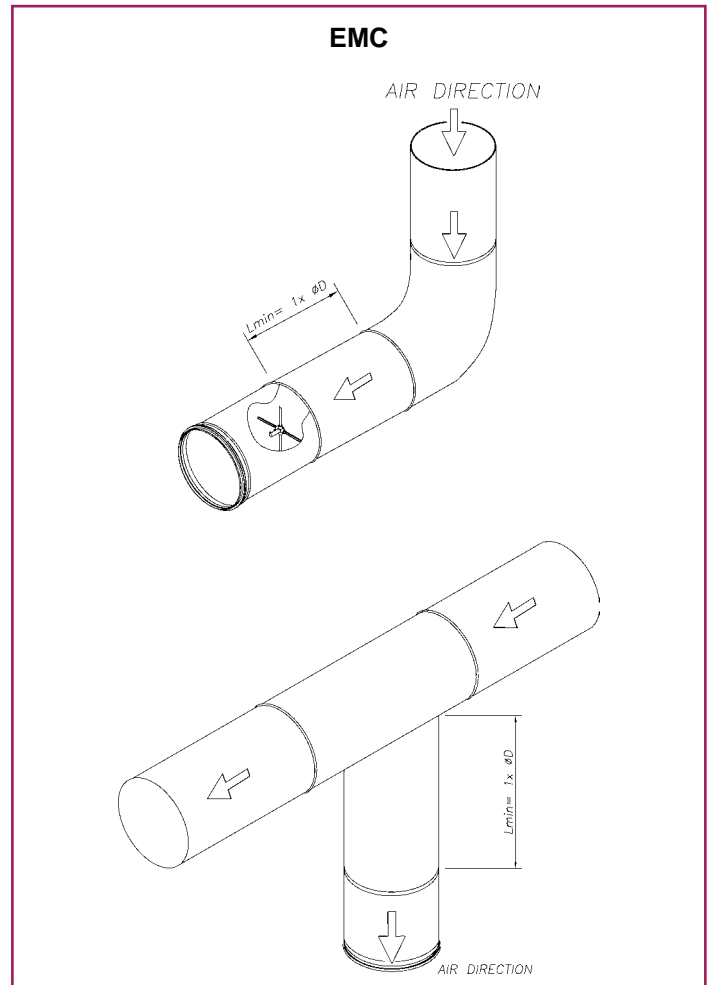
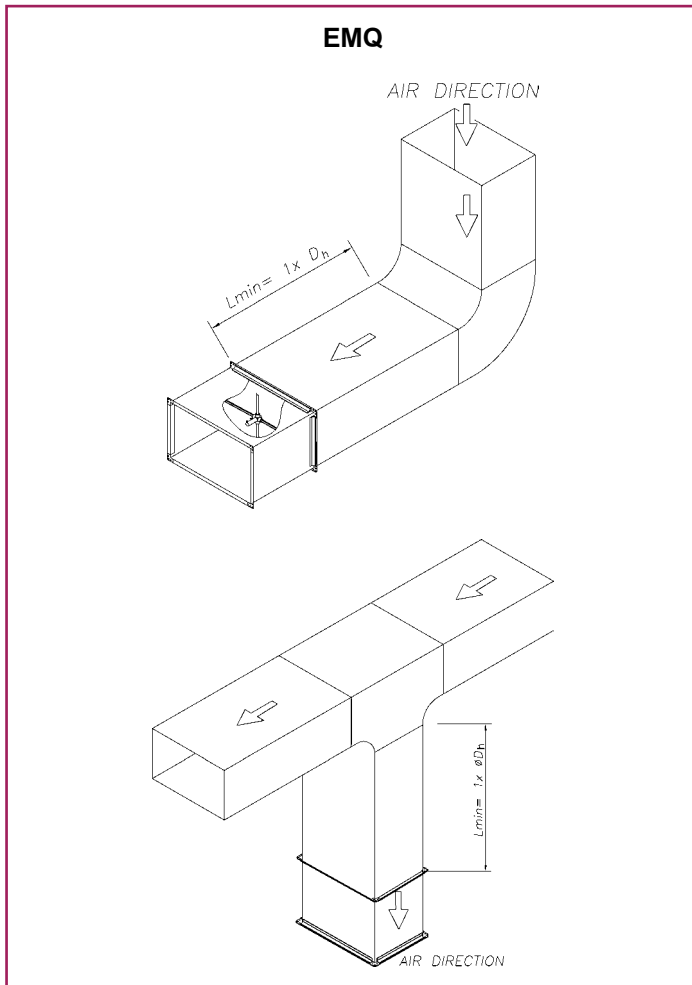
Product code

EMC	circular measurement station
EMQ	rectangular measurement station
LxH	length x height in mm
Ø	diameter in mm

Installation

To ensure an accurate flow measurement must respect the detailed distances in the images below. Installation is independent of the direction of airflow.

The hydraulic diameter is calculated using the formula $D_h = 2 \cdot (L \cdot H) / (L + H)$



Flow measurement

From the value of the measured differential pressure sensor located in the inlet of the station the passing airflow is determined using the expression:

$$Q = C \cdot \sqrt{P_d}$$

Where:

Q = Air flow in m^3/h

C = Coefficient to convert the differential pressure reading to airflow rate

P_d = Differential pressure sensor in Pa

The accuracy of the measured flow rate is within a tolerance of $\pm 5\%$.

On request, available with built-in pressure gauges or with a Belimo VRU-D3-BAC flowmeter suitable for measuring and monitoring air flow by analogue communication, BACnet MS/TP, Modbus RTU or Belimo MP-Bus.



KOOLAIR, S.L.

Calle Urano, 26

Poligono industrial nº 2 – La Fuensanta

28936 Móstoles - Madrid - (España)

Tel: +34 91 645 00 33

Fax: +34 91 645 69 62

e-mail: info@koolair.com

www.koolair.com