

KOOLAIR

series

HIDE

Linear slot diffusers

ISO 9001

BUREAU VERITAS
Certification

Sistema de Gestión



www.koolair.com



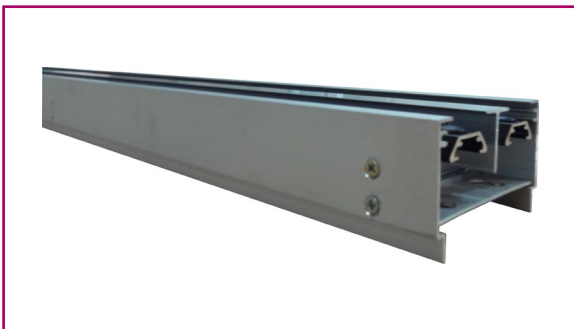
CONTENTS

HIDE linear diffuser

Description	2
Dimensions	3
Selection table	5
Graphs	6
Designs and finishes	7



HIDE linear diffuser



Description

HIDE linear slot diffuser, air flow 21 mm, with no outer frames, thus offering excellent aesthetics. Its directional fin allows air flow to be adjusted from 0° to 180°. Includes supply plenum with volume control damper at the inlet.

Applicable for variable-volume and constant-volume systems, as it is designed to maintain the ceiling effect (Coanda effect), even with primary air flows reduced to 20% of nominal air flow rate.

Application

The HIDE linear slot diffusers are especially recommended for ceiling installation (both continuous and modular) with installation heights of 2.6 to 4 m. Due to its high induction levels, air-jet homogenization is achieved, stratifications and rapid compensation of thermal loads are avoided.

The air-jet direction can be modified even with the diffuser installed, allowing horizontal and vertical discharge.

The same diffuser can be used for return. High-quality aesthetics and performance are further enhanced by alternating the return diffusers with supply diffusers in the same continuous line.

Finishes

Made of anodized aluminium, natural or prelacquered in RAL-9010 glossy white, as standard finishes. Black directional fins with a matte finish. Includes supply plenum box of galvanized steel sheet and volume control damper at the inlet accessible from the room. The standard plenum box is fixed, with or without insulation.

Integration of the diffuser in a specially sized plate for installation in modular ceilings (1200x300, etc.) is possible upon request.

Identification

The HIDE diffusers have directional fins and volume control damper. Models without a plenum include mounting bridges. For return air, it is possible to use the HIDE model, which does not include the volume control damper but does include the directional fins. The standard diffusers have 1,5 mm trim angles.

HIDE Linear slot diffuser 21mm.

1, 2, 3, 4 Number of ways.

R1,5 Final trim of 1,5 mm

R8,7 Final trim of 8.7 mm

R17 Final trim of 17 mm

PM Mounting bridge.

CL Mounting clips.

PF Fixed plenum without insulation.

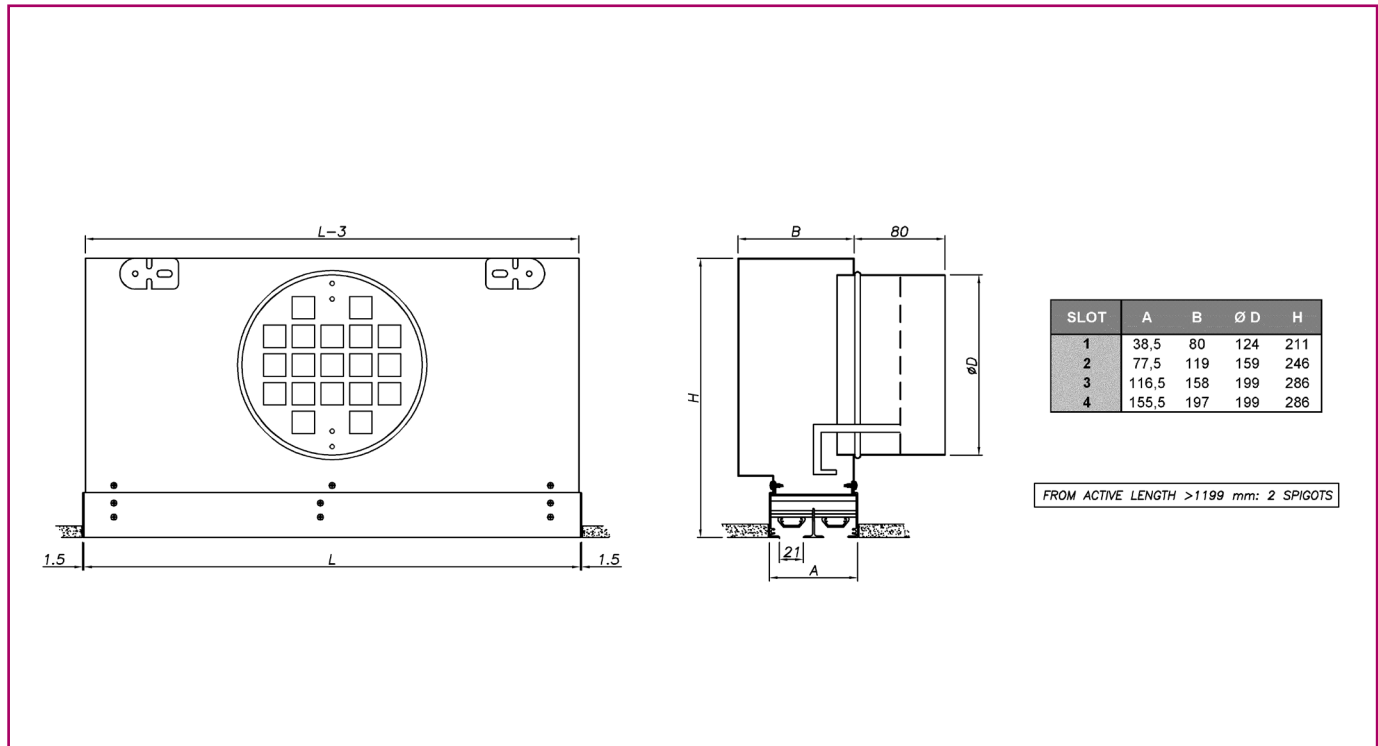
PFA Fixed plenum with insulation.

PD Removable plenum without insulation.

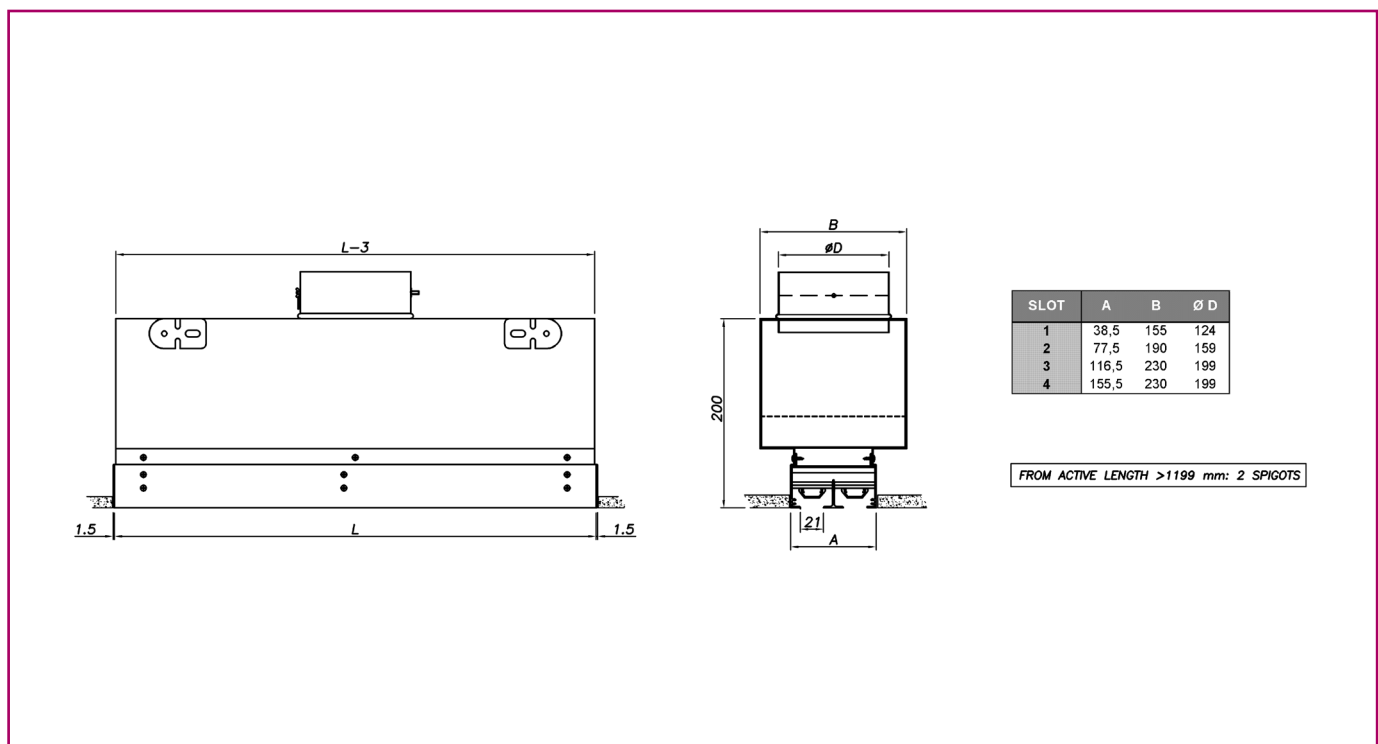
PDA Removable plenum with insulation.

HIDE Overall dimensions

HIDE linear diffuser, fixed plenum, side entry

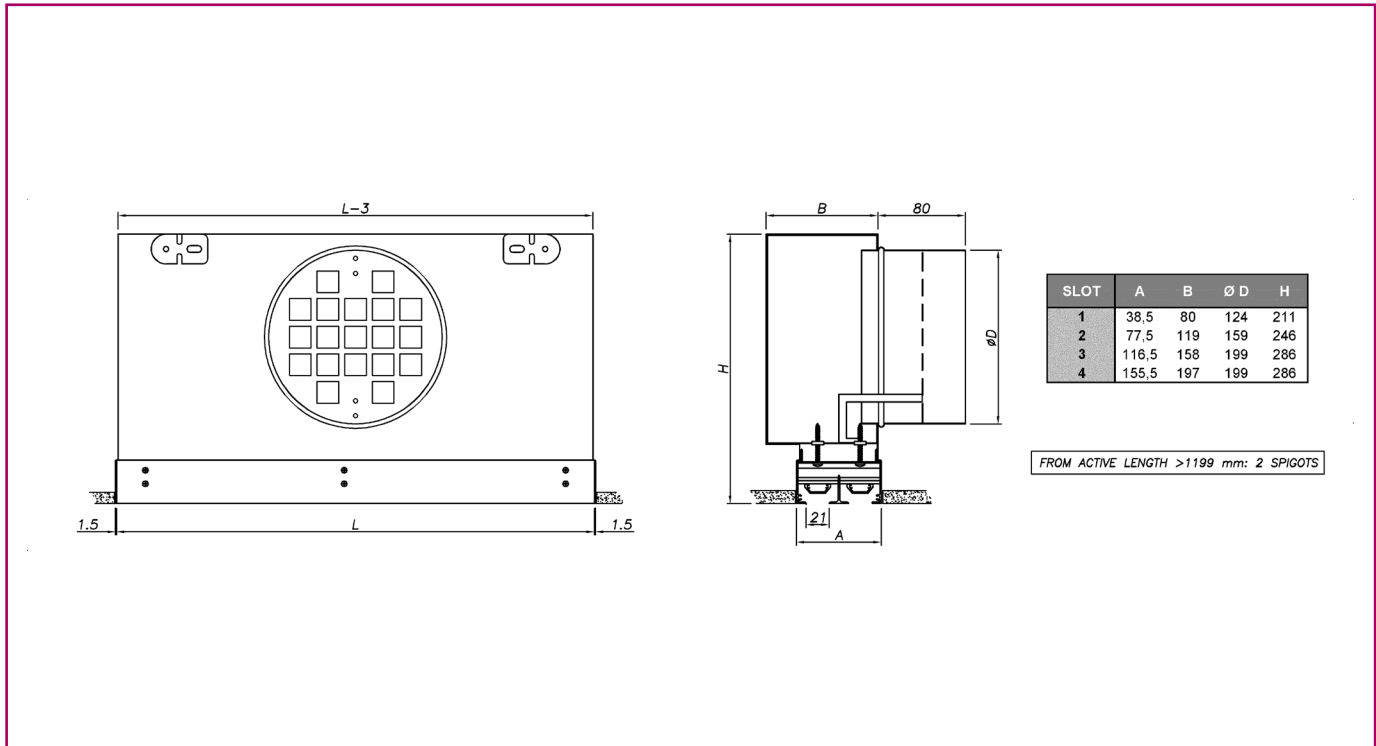


HIDE linear diffuser, fixed plenum, top entry

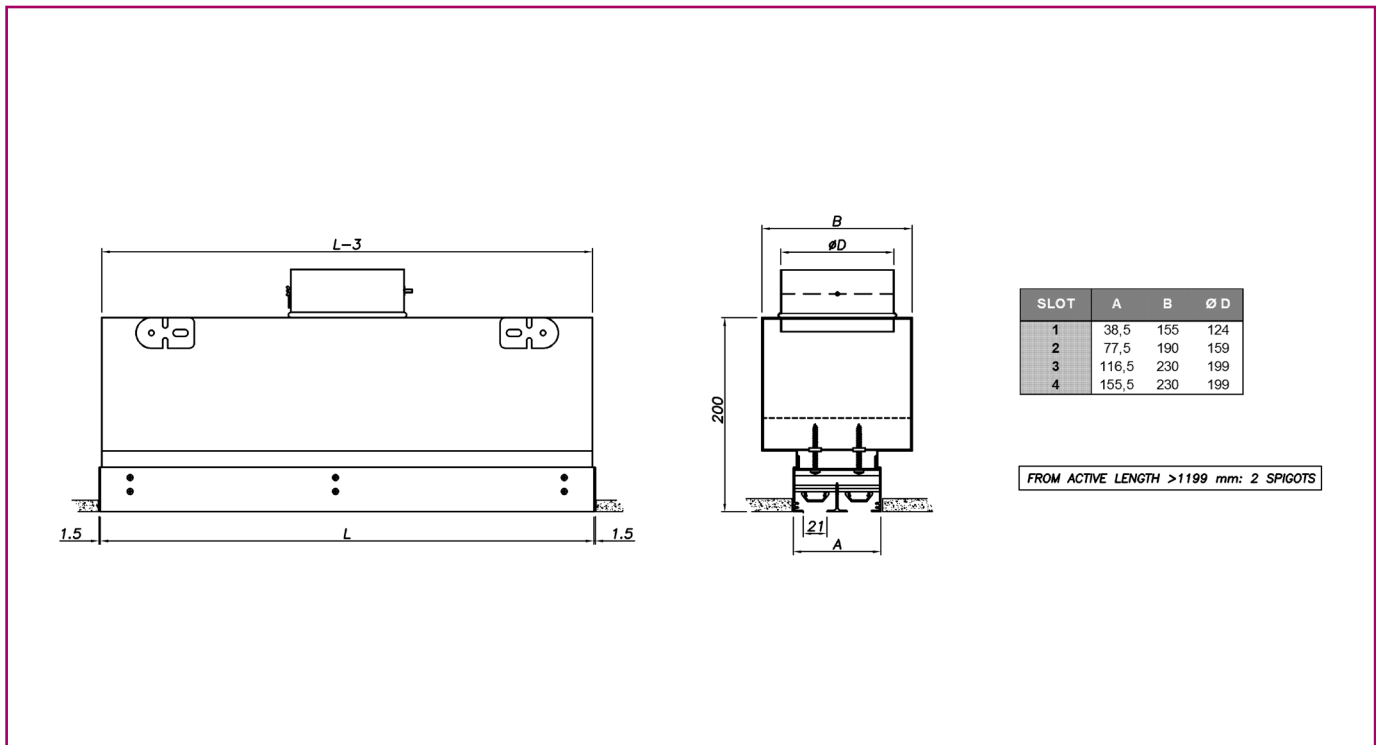


HIDE Overall dimensions

HIDE linear diffuser, removable plenum, side entry



HIDE linear diffuser, removable plenum, top entry



HIDE Selection Table

Q		Dim.	600-1	900-1	1200-1 600-2	1500-1	900-2 600-3	1200-2 600-4	900-3	1500-2	1200-3 900-4	1500-3	1200-4	1500-4	
(m ³ /h)	(l/s)	A _k (m ²)	0,00697	0,01046	0,01395	0,01744	0,02092	0,02790	0,03139	0,03487	0,04185	0,05231	0,05580	0,06975	
60	16,7	V _k (m/s)	2,4	1,6	1,2										
		X (m)	1,4	1,1	1,0										
		P _t (Pa)	6	3	2										
		dB(A)	<20	<20	<20										
80	22,2	V _k (m/s)	3,2	2,1	1,6	1,3	1,1								
		X (m)	1,8	1,5	1,3	1,1	1,0								
		P _t (Pa)	11	5	3	2	1								
		dB(A)	26	<20	<20	<20	<20								
100	27,8	V _k (m/s)	4,0	2,7	2,0	1,6	1,3	1,0							
		X (m)	2,3	1,8	1,6	1,4	1,3	1,1							
		P _t (Pa)	17	8	4	3	2	1							
		dB(A)	32	24	<20	<20	<20	<20							
150	41,7	V _k (m/s)	6,0	4,0	3,0	2,4	2,0	1,5	1,3	1,2	1,0				
		X (m)	3,4	2,8	2,4	2,1	2,0	1,7	1,6	1,5	1,4				
		P _t (Pa)	39	17	10	6	4	2	2	2	2	1			
		dB(A)	43	35	30	25	21	<20	<20	<20	<20	<20			
200	55,6	V _k (m/s)	8,0	5,3	4,0	3,2	2,7	2,0	1,8	1,6	1,3	1,1	1,0		
		X (m)	4,5	3,7	3,2	2,9	2,6	2,3	2,1	2,0	1,8	1,7	1,6		
		P _t (Pa)	70	31	17	11	8	4	3	3	2	1	1		
		dB(A)	51	43	38	33	29	24	21	<20	<20	<20	<20		
250	69,4	V _k (m/s)		6,6	5,0	4,0	3,3	2,5	2,2	2,0	1,7	1,3	1,2	1,0	
		X (m)		4,6	4,0	3,6	3,3	2,8	2,7	2,5	2,3	2,1	2,0	1,8	
		P _t (Pa)		48	27	17	12	7	5	4	3	2	2	1	
		dB(A)		49	44	39	36	30	28	25	24	<20	<20	<20	
300	83,3	V _k (m/s)			6,0	4,8	4,0	3,0	2,7	2,4	2,0	1,6	1,5	1,2	
		X (m)			4,8	4,3	3,9	3,4	3,2	3,0	2,8	2,5	2,4	2,1	
		P _t (Pa)			39	25	17	10	8	6	4	3	2	2	
		dB(A)			49	44	41	35	33	30	29	24	23	<20	
400	111,1	V _k (m/s)				6,4	5,3	4,0	3,5	3,2	2,7	2,1	2,0	1,6	
		X (m)				5,7	5,2	4,5	4,3	4,0	3,7	3,3	3,2	2,9	
		P _t (Pa)				45	31	17	14	11	8	5	4	3	
		dB(A)				52	49	43	41	38	37	32	31	27	
500	138,9	V _k (m/s)					6,6	5,0	4,4	4,0	3,3	2,7	2,5	2,0	
		X (m)					6,5	5,7	5,3	5,1	4,6	4,1	4,0	3,6	
		P _t (Pa)					48	27	22	17	12	8	7	4	
		dB(A)					55	49	47	45	43	39	37	33	
600	166,7	V _k (m/s)							5,3	4,8	4,0	3,2	3,0	2,4	
		X (m)							6,4	6,1	5,5	5,0	4,8	4,3	
		P _t (Pa)							31	25	17	11	10	6	
		dB(A)							52	50	48	44	42	38	
700	194,4	V _k (m/s)								5,6	4,6	3,7	3,5	2,8	
		X (m)								7,1	6,5	5,8	5,6	5,0	
		P _t (Pa)								34	24	15	13	9	
		dB(A)								54	52	48	47	42	
800	222,2	V _k (m/s)										4,2	4,0	3,2	
		X (m)										6,6	6,4	5,7	
		P _t (Pa)										20	17	11	
		dB(A)										52	50	46	
900	250,0	V _k (m/s)											4,5	3,6	
		X (m)											7,2	6,4	
		P _t (Pa)											22	14	
		dB(A)											53	49	
1000	277,8	V _k (m/s)												4,0	
		X (m)												7,2	
		P _t (Pa)												17	
		dB(A)												52	

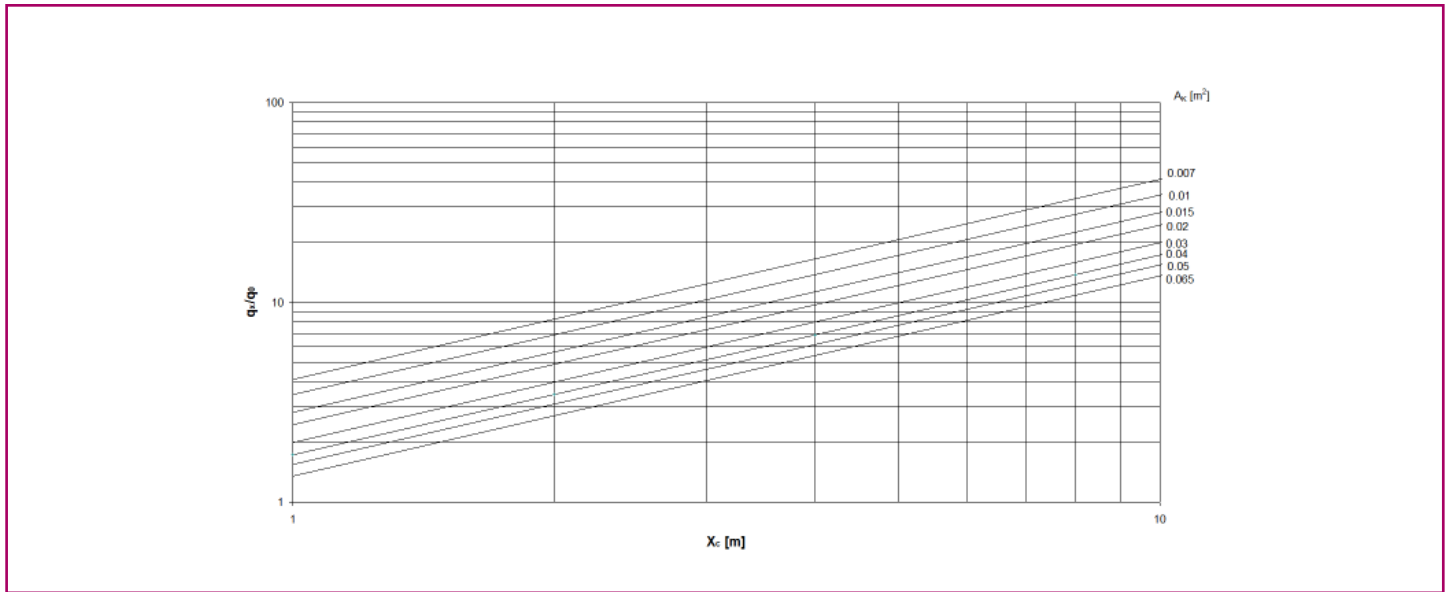
SYMBOLS:

Q	Air flow in m ³ /h
A _k	Effective area in m ²
V _k	Effective supply velocity in m/s
X	Throw of the air jet
P _t	Total pressure drop, in Pa
dB(A)	Sound power level in dB(A)

HIDE Selection Graphs

Induction ratio

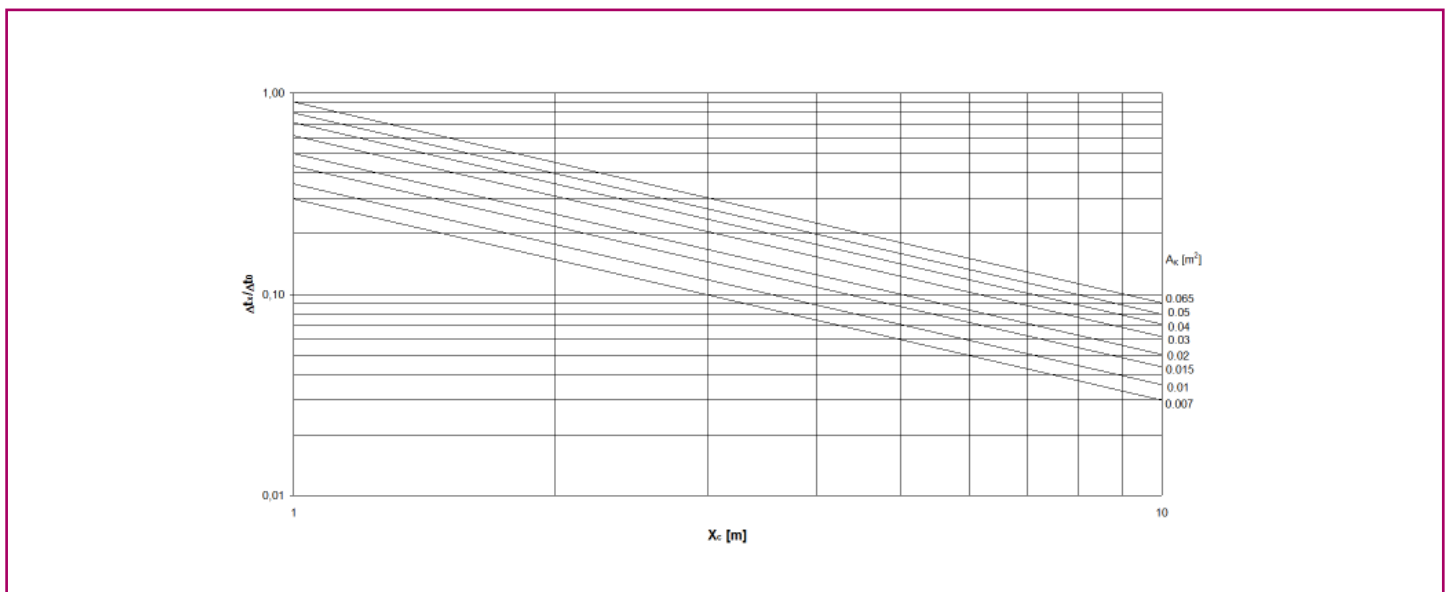
The induced air flow inside the room can be estimated from the factor (q_x/q_o) which is determined by the parameters X_c in m (throw) and the effective area in m^2 (A_k). Once the induction ratio is known, multiply by the supply air flow to obtain the total induced flow.



q_x/q_o : Induction ratio. Quotient between the air flow for a throw, X , and the air flow supplied in the room.

Temperature coefficient

To estimate the air-jet temperature in the room, use the lower chart which is determined by the parameters X_c in M (throw) and the effective area in m^2 (A_k).



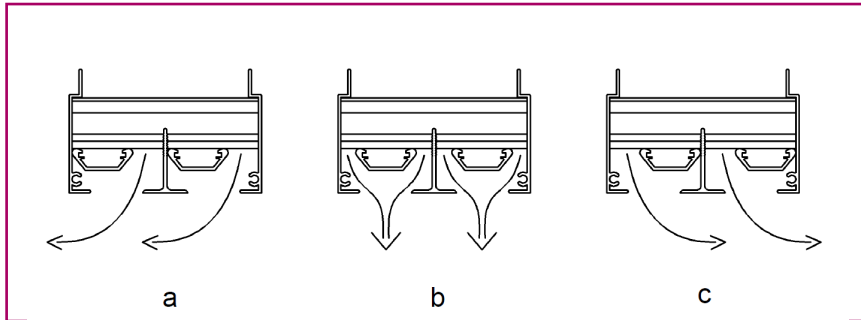
ΔT_o (C): Temperature difference between the supply air jet and the room to be air-conditioned.

ΔT_x (C): Temperature difference between the air jet (for throw, X) and the room to be air-conditioned.

Designs and finishes

Execution

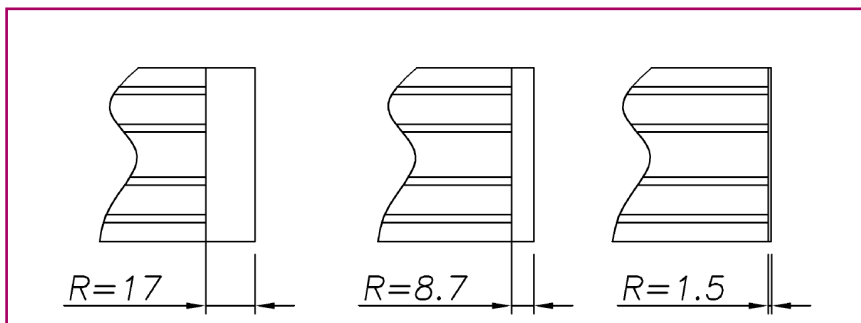
Air flow orientation based on deflector slot position.



- a) Position of air deflector slots for horizontal diffusion toward the left.
- b) Position of air deflector slots for vertical diffusion.
- c) Position of air deflector slots for horizontal diffusion toward the right.

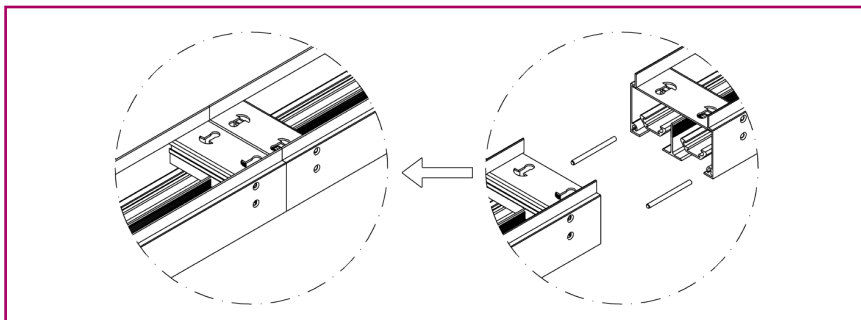
Finishes - Final trim

There are three final diffuser trim systems.



- R15 Final trim of 17 mm.
- R8,7 Final trim of 8,7 mm.
- R1,5 Final trim of 1,5 mm. If not otherwise specified, the standard size is 1,5 mm.

Diffusers with length above 2000 mm.



Diffusers with a length above 2000 mm are supplied in separate sections that are assembled with union pieces for perfect alignment, with end caps in the head sections at the end.

Technical specifications

Linear slot diffuser, HIDE model, of length L with number of ways A, for installation in modular or continuous drop ceilings, for horizontal air supply with Coanda effect. Final trim of 1,5 mm. Includes uninsulated supply plenum of galvanized steel sheet and volume control damper at the inlet accessible from the room. Standard finish of glossy paint (RAL9010). Other RAL colours upon request.

HIDE 1000 – 1,5 - R1 - PF

THIS CATALOGUE IS INTELLECTUAL PROPERTY.

Its reproduction either of a part or its full contents is prohibited without the expressed and authentic consent of KOOLAIR, S.L.



KOOLAIR, S.L.

Calle Urano, 26

Poligono industrial nº 2 – La Fuensanta

28936 Móstoles - Madrid - (España)

Tel: +34 91 645 00 33

Fax: +34 91 645 69 62

e-mail: info@koolair.com

www.koolair.com