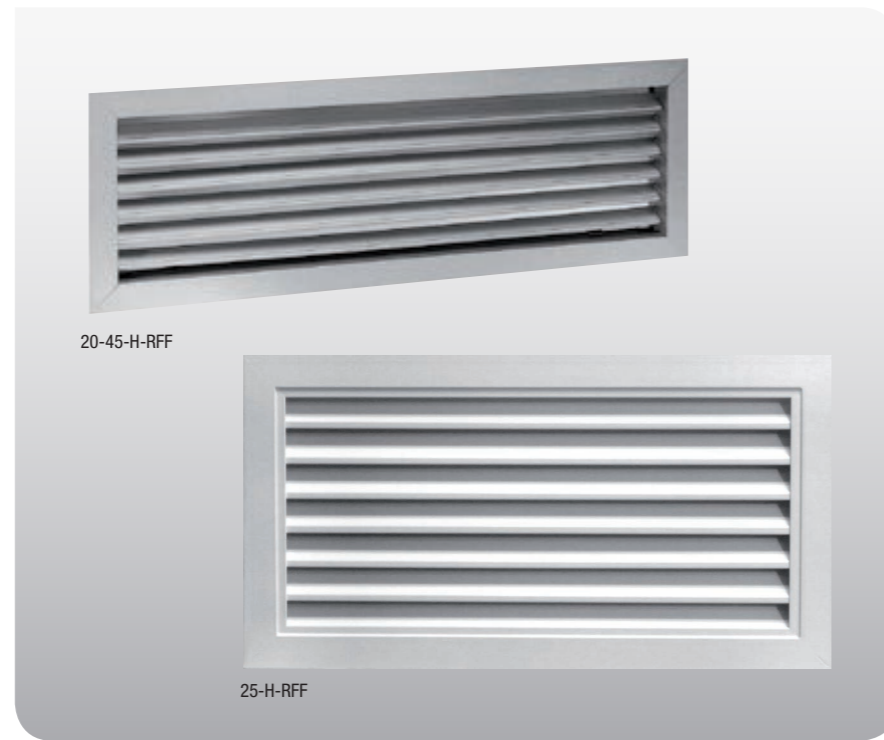


20-45-H-RFF/25-H-RFF

Filterholder grilles



Product description

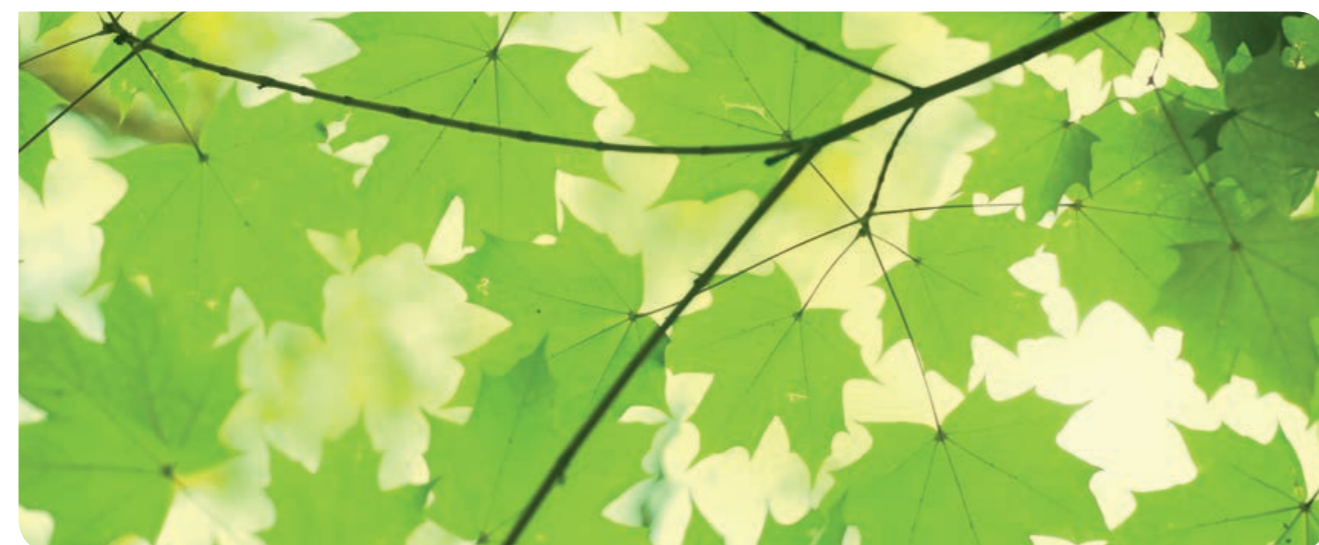
Hinged filterholder grilles for special application on both walls and ceilings. Natural anodized aluminum finish (filter not included). Upon enquiry and by special order, the component can be supplied with volume control damper (-O).

On demand filter thickness 10 mm.

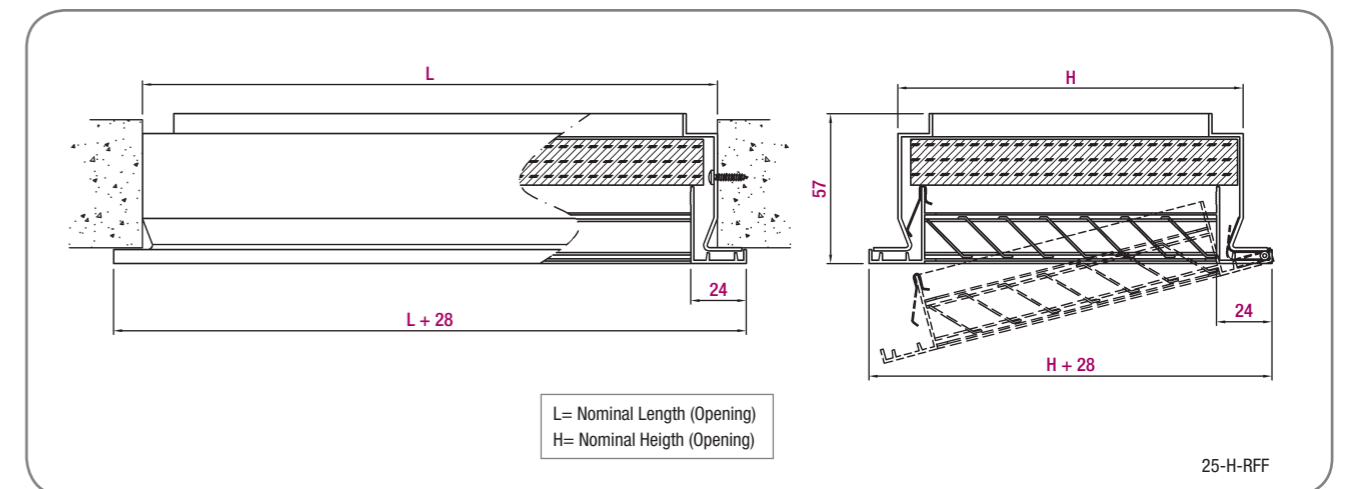
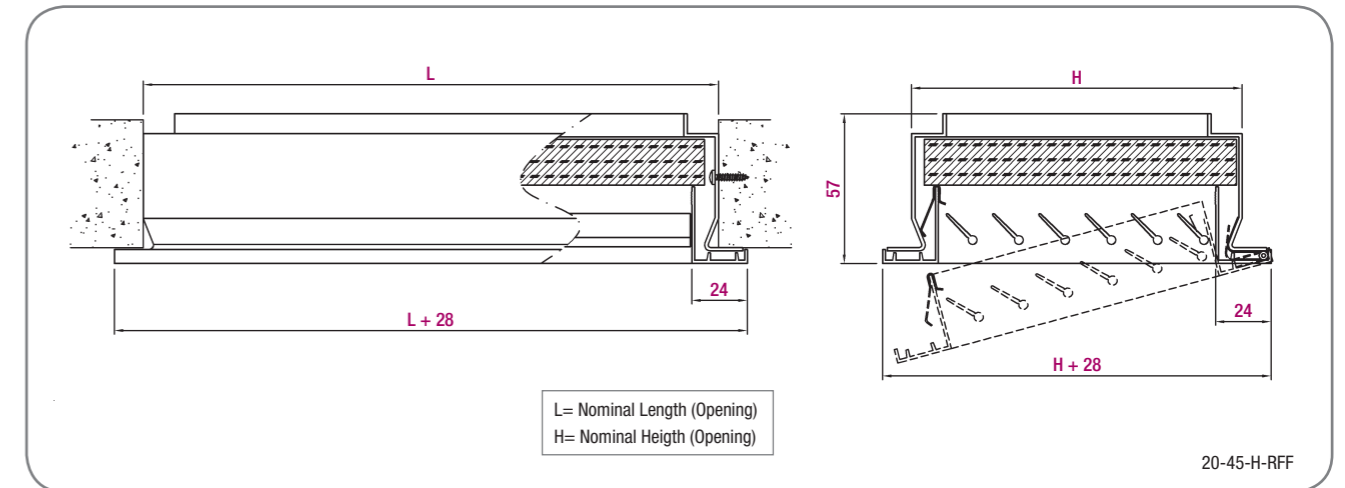
Other models

20-45-H-RFF. Filterholder grille with fixed horizontal vanes at 45°.

25-H-RFF. Filterholder grille, air intake and exhaust, with fixed horizontal blades at 45°.



General dimensions



Selection table 20-45-H-RFF

Dimension	Q (m³/h)	L _w -dB(A)	P _{st} (Pa)
600 x 300	650	25	3
	950	35	7
	1400	45	15
600 x 600	1250	25	2
	1800	35	6
	2600	45	12

LEGEND

Q (m³/h): Air flow.

L_w-dB(A): Sound power level.

P_{st} (Pa): Pressure drop. Values with plenum.

Data does not include filter.

Selection table 25-H-RFF

Dimension	Q (m³/h)	L _w -dB(A)	P _{st} (Pa)
600 x 300	450	25	5
	700	35	11
	1000	45	22
600 x 600	880	25	4
	1300	35	8
	2000	45	19

Data does not include filter.