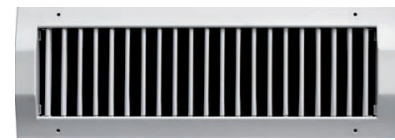


21-SVC/21-SVR



Catalogue Series 20.1



21-SVC



21-SVR



Single deflection grille for ducts

Product description

Single deflection grille for circular ducts, KOOLAIR, model **21-SVC**, of dimensions LxH, for supplying or returning air. It can incorporate volume control dampers (-RFS05/06).

Standard finished in steel sheet (-ZN) or any RAL colour upon request.

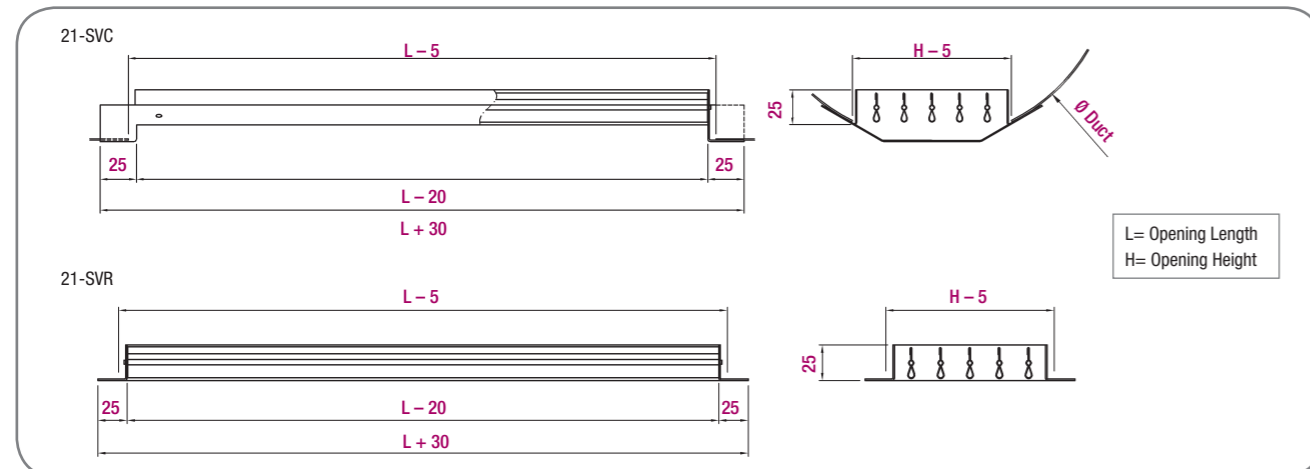
Other models

21-SVR. Single deflection grille for rectangular ducts.

Mounting

With screws (-T). The grille is provided with holes for screwing.

General dimensions



	Ø OF CIRCULAR DUCT			
	H mm			
	75	125	175	225
Ø MINIMUM mm	100	315	560	630
Ø MAXIMUM mm	400	900	1250	1400

Unit mm

Selection table

Dimension	Q (m³/h)	L _{wa} [dB(A)]	ΔP _t (Pa)	X (m)	V _k (m/s)
225 x 75	130	24	15	3.4	4.2
	190	32	29	4.9	6.0
	260	40	56	6.8	8.2
325 x 75	180	24	13	3.9	4.0
	250	32	25	5.5	5.5
	340	40	49	7.6	7.7
425 x 75	220	24	12	4.3	3.8
	310	32	23	5.9	5.2
	430	40	44	8.3	7.3
525 x 75	260	24	11	4.5	3.6
	370	32	21	6.3	5.0
	500	40	40	8.8	7.0
625 x 75	300	24	10	4.8	3.5
	420	32	20	6.7	4.9
	580	40	38	9.3	6.8
425 x 125	370	24	9	5.2	3.3
	520	32	18	7.2	4.6
	720	40	34	10.1	6.4
525 x 125	440	24	8	5.6	3.2
	620	32	16	7.7	4.4
	860	40	31	10.7	6.2
625 x 125	510	24	8	5.9	3.1
	710	32	15	8.2	4.3
	990	40	29	11.3	5.9
425 x 225	640	24	7	6.4	2.9
	890	32	14	8.9	4.0
	1240	40	26	12.3	5.6
525 x 225	770	24	6	6.8	2.8
	1060	32	12	9.5	3.9
	1480	40	24	13.2	5.4
625 x 225	880	24	6	7.2	2.7
	1230	32	12	10.0	3.7
	1710	40	22	13.9	5.2
825 x 225	1110	24	5	7.9	2.5
	1540	32	10	10.9	3.5
	2150	40	20	15.2	4.9
1025 x 225	1340	24	5	8.4	2.4
	1860	32	9	11.7	3.4
	2580	40	18	16.3	4.7



LEGEND

Q (m³/h): Air flow.
 L_{wa} [dB(A)]: Sound power level.
 ΔP_t (Pa): Total pressure loss.
 X (m): Throw for a maximum velocity of 0.25 m/s at the occupied zone
 ΔT = -10 °C (cold), installed at 2.7 m of height, with ceiling effect.
 V_k (m/s): Effective velocity.

The Selection Table shows a summary of dimensions. Other sizes available. Consult the Sales Department.