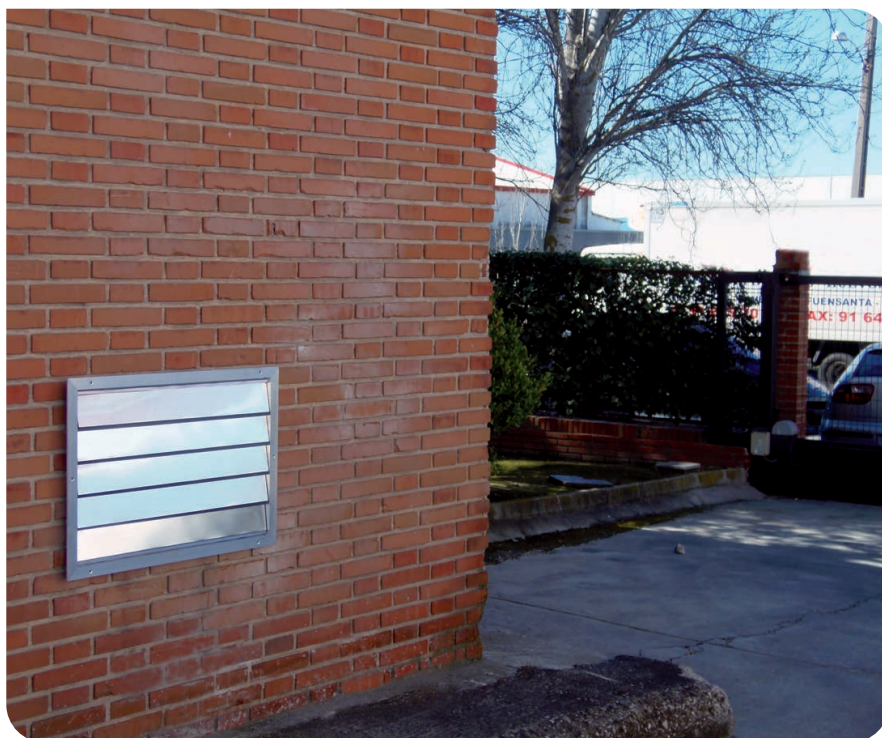


230-SP



Catalogue Series 100-200



Overpressure damper

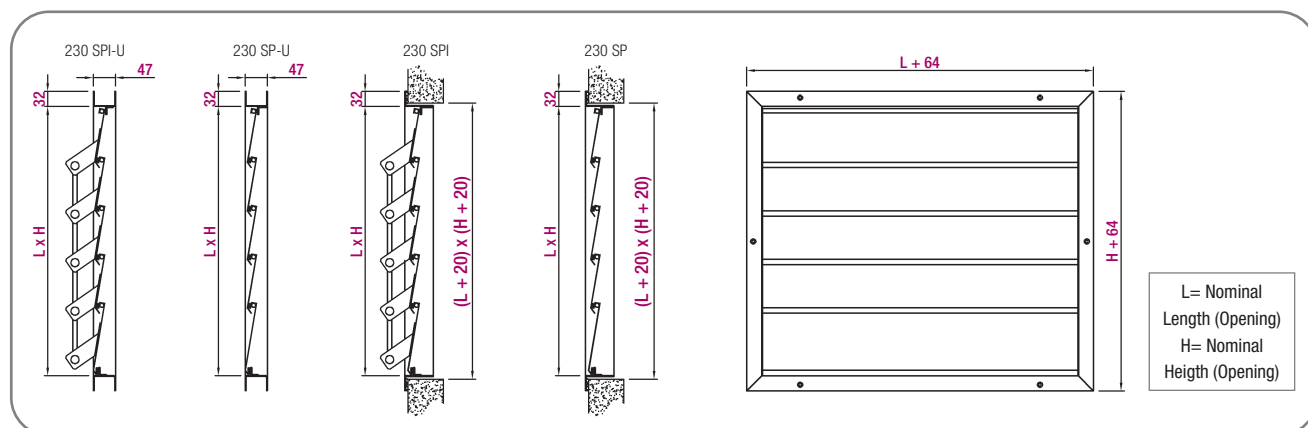
Product description

Overpressure damper, KOOLAIR **230-SP** model. Includes sealing strip in fins for more efficient closure and sound absorption. By special order, they can be supplied with a U-frame, with inverted fins, interconnected fins, etc. The frame includes drilled holes for flush-mounting or duct attachment with bolts or rivets. Manufactured in extruded aluminium, standard natural aluminum finish.

Other models

- 230-SPI.** Overpressure damper with U-frame and interconnected fins, for wall mounting.
- 230-SP-U.** Overpressure damper with U-frame for alternating installation.
- 230-SPI-U.** Overpressure damper with U-frame and interconnected fins, for alternating installation.

General dimensions



Note: For more information refer to catalogue and/or Technical Department.