

27-R-FF/22-R-FF



27-R-FF



22-R-FF



Special filterholder grilles for installation in ceilings

Product description

Hinged push&pull filterholder grilles for installation in modular and continuous ceilings and walls. Includes a filter holder section to incorporate a 10 mm thick filter.

Characterised by a compartment to incorporate a filter.

27-R-FF. Manufactured in sheet steel with circular hole Ø4.8 mm - 6.35 mm slot.

22-R-FF. Straight blades.

Other models

22-I-R-FF. Hinged filterholder grille with aluminium blades set at 45°.

Fixings

- Complete with concealed fixing system for installation in ceilings with a thickness of between 5 mm and 40 mm without the need for a metal mounting frame (**-SFO-PT**).

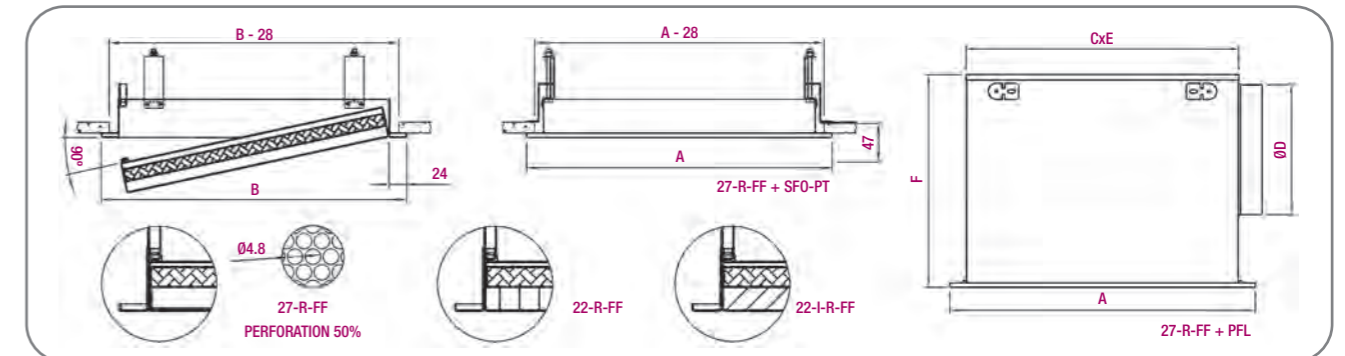
- **PFL.** With fixed galvanised sheet steel plenum with lateral connection. (**-A** Interior insulated).

- **PFS.** With fixed galvanised sheet steel plenum with top connection. (**-A** Interior insulated).

Materials and finish

Manufactured in galvanised steel and aluminium (blades). Painted finish in RAL colour to be defined. Possibility of fitting filters with **G2**, **G3** and **G4** efficiency.

General dimensions



Possibility of manufacturing plenum with a lateral or top connection to suit available height in false ceiling and flow rate per grille.

Dimensions

27-R-FF	1B (1 connection) 2B (2 connections)								
	A	B	C	D	ØD ^{1B}	F ^{1B}	ØD ^{2B}	F ^{2B}	FILTER
450x400	445	395	404	354	315	420	250	355	390x325
600x300	595	295	554	254	315	420	250	355	540x225
550x500	545	495	504	454	315	420	250	355	490x425
800x350	795	345	754	304	315	420	250	355	740x275
600x600	595	595	554	554	400	505	315	420	540x525
950x400	945	395	904	354	400	505	315	420	890x325
675x675	670	670	629	629	500	605	315	420	615x600
900x500	895	495	854	454	500	605	315	420	840x425
1000x800	995	795	954	754	630	735	400	505	940x725

22-R-FF 22-I-R-FF	A	B	C	D	ØD ^{1B}	F ^{1B}	ØD ^{2B}	F ^{2B}	FILTER
450x400	445	395	404	354	400	505	315	420	390x325
600x300	595	295	554	254	400	505	315	420	540x225
550x500	545	495	504	454	500	605	315	420	490x425
800x350	795	345	754	304	500	605	315	420	740x275
600x600	595	595	554	554	630	735	400	505	540x525
950x400	945	395	904	354	630	735	400	505	890x325
675x675	670	670	629	629	630	735	400	505	615x600
900x500	895	495	854	454	630	735	400	505	840x425
1000x800	995	795	954	754	700	805	500	605	940x725

Unit in mm

Selection table 27-R-FF

Dimensions	Q (m³/h)	L _w -dB(A)	P _{st} (Pa)
450 x 400	565	24	25
600 x 300	720	32	40
500 x 350	920	40	65
550 x 500	800	24	18
800 x 350	1021	32	30
	1302	40	49
600 x 600	1130	24	20
950 x 400	1435	32	33
	1835	40	53
675 x 675	1410	24	19
900 x 500	1800	32	32
	2300	40	49
1000 x 800	2270	24	15
	2895	32	24
	3695	40	39

22-R-FF

Dimensions	Q (m³/h)	L _w -dB(A)	P _{st} (Pa)
450 x 400	1045	24	24
600 x 300	1400	32	41
500 x 350	1875	40	65
550 x 500	1505	24	17
800 x 350	2015	32	31
	2700	40	51
600 x 600	2010	24	19
950 x 400	2695	32	31
	3610	40	47
675 x 675	2470	24	19
900 x 500	3310	32	29
	4440	40	47
1000 x 800	3530	24	12
	4730	32	22
	6335	40	39

22-I-R-FF

Dimensions	Q (m³/h)	L _w -dB(A)	P _{st} (Pa)
450 x 400	820	24	32
600 x 300	1100	32	53
500 x 350	1450	40	76
550 x 500	1125	24	27
800 x 350	1525	32	44
	2050	40	69
600 x 600	1450	24	25
950 x 400	1950	32	40
	2600	40	61
675 x 675	1750	24	24
900 x 500	2300	32	38
	3100	40	62
1000 x 800	2650	24	22
	3500	32	30
	4700	40	47

LEGEND

Q (m³/h): Air flow.
L_w-dB(A): Sound power level.

P_{st} (Pa): Pressure drop across the grille+filter.
Values without plenum box and with G2 efficiency filter.