

31-1-BANKSIDE



Linear supply or return grille



Product description

KOOLAIR linear supply or return grille with no external frame, model **31-1-BANKSIDE** with fixed horizontal blades (0° deflection), dimensions LxH. Option to include a regulating damper (-O). Anodised aluminium finish or painted in RAL colour of choice.

Note: Possibility of forming continuous lines (Maximum length per section 2000 mm).

Mounting

L. Mounting bracket.

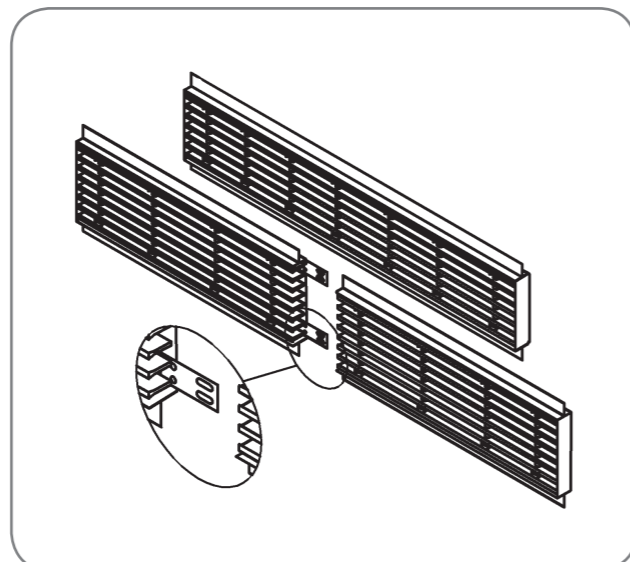
PFL. Fixed plenum with lateral spigot. (-A. Interior insulated).

PFS. Fixed plenum with top spigot. (-A. Interior insulated).

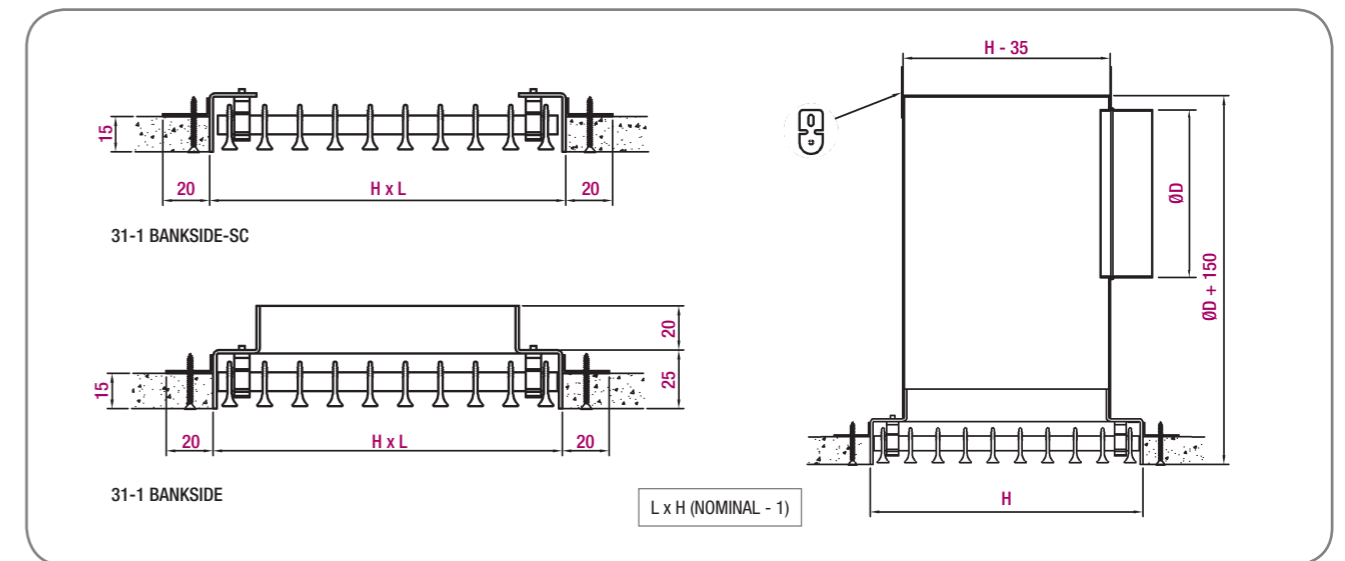
Other models

31-15-BANKSIDE. Linear grille with fixed blades (deflection 15°).

31-1/15-BANKSIDE-G. Linear grille with fixed blades (deflection 0° or 15°), with 2nd deflection of vertical blades.



General dimensions



Selection table

(Flow rate per linear metre of grille)

Dimension	Q (m³/h)	L _{WA} [dB(A)]	ΔP _t (Pa)	X (m)	V _k (m/s)
1000 x 75	230	24	7	3,2	3,5
	310	32	13	4,3	4,8
	430	40	25	5,9	6,6
1000 x 100	310	24	6	3,5	3,3
	430	32	12	4,9	4,6
	590	40	23	6,8	6,3
1000 x 125	430	24	5	4,0	3,0
	600	32	10	5,6	4,3
	820	40	20	7,7	5,8
1000 x 150	560	24	5	4,5	3,0
	760	32	9	6,1	4,0
	1040	40	18	8,4	5,5
1000 x 200	780	24	4	5,2	2,8
	1070	32	8	7,1	3,8
	1460	40	16	9,6	5,2
1000 x 250	990	24	4	5,7	2,6
	1350	32	7	7,7	3,6
	1850	40	14	10,6	4,9
1000 x 300	1200	24	4	6,1	2,6
	1630	32	7	8,3	3,5
	2230	40	13	11,4	4,7

The Selection Table shows a summary of dimensions. Other sizes available. Consult the Sales Department.



LEGEND

Q (m³/h): Air flow.
L_{WA} [dB(A)]: Sound power level.
ΔP_t (Pa): Total pressure loss.
X (m): Throw for a maximum velocity of 0.25 m/s at the occupied zone
ΔT = -10 °C (cold), installed at 2.7 m of height, with ceiling effect.
V_k (m/s): Effective velocity..