

31-1/-15-LT

Linear grille with concealed frame



Product description

KOOLAIR linear grille for supply or return air with concealed perimeter frame, model **31-1-LT**, dimensions LxH (mm), with fixed horizontal blades (0° deflection), for installation in suspended ceiling or wall. Fin block that can be detached manually by means of pressure clips to access the interior of the unit or duct for cleaning, inspection or to access the filter etc.

Characterised by the absence of a visible profile, with only the horizontal blades of the grille visible, providing an overall pleasing aesthetic appearance. Option to fit a control damper (-O) and individually moveable vertical blades to provide secondary deflection (-G).

Anodised aluminium finish or painted in RAL colour of choice. Frame and auxiliary parts painted in black RAL9005 to obscure from below and prevent from standing out once installed.

Possibility of forming continuous lines of a determined length composed of sections manufactured to be joined on site. Installation of changes of direction in ceilings or walls at angles to be determined with the objective of creating a continuous linear grille installation.

(Maximum length per section 2000 mm).

Mounting

Standard design. Includes a specially designed frame to facilitate wall mounting and finishing with plasterboard paste or similar to conceal.

-PFL. With fixed galvanised sheet steel plenum with lateral connection. (-A Interior insulated).

-PFS. With fixed galvanised sheet steel plenum with top connection. (-A Interior insulated).

-PDL. With fixed galvanised sheet steel plenum with lateral connection, not mounted directly to grille (independent part). (-A Interior insulated).

-PDS. With fixed galvanised sheet steel plenum with top connection, not mounted directly to grille (independent part). (-A Interior insulated).

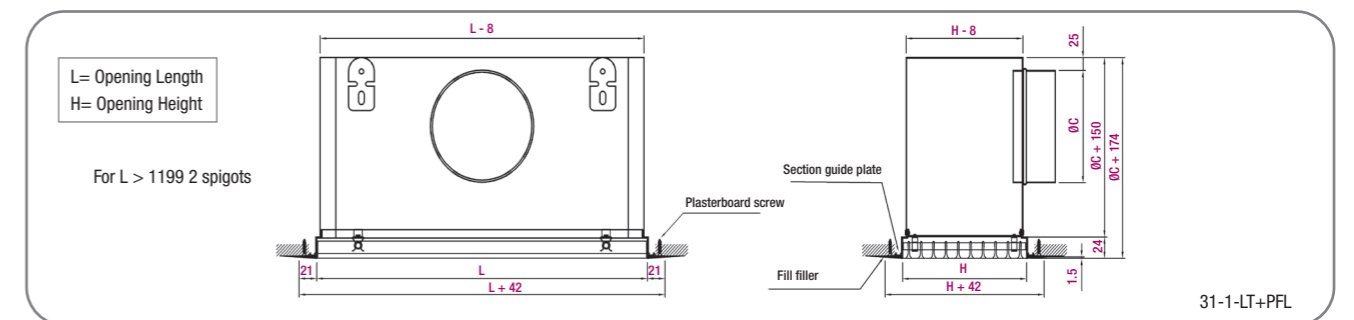
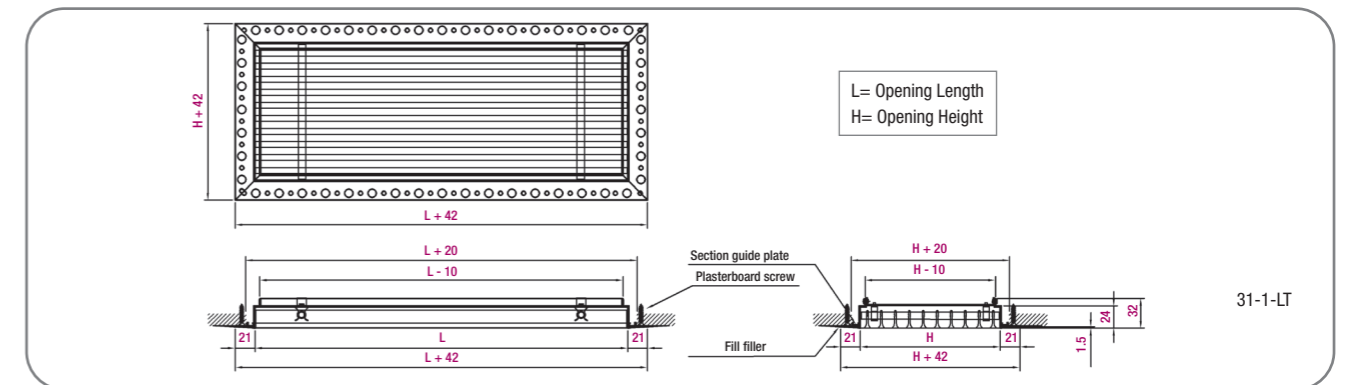
Other models

31-15-LT. Linear grille with concealed frame and fixed blades (15° deflection)

31-1/15-LT-G. Linear grille with concealed frame and fixed blades (0° or 15° deflection), with individually moveable vertical blades for secondary deflection.

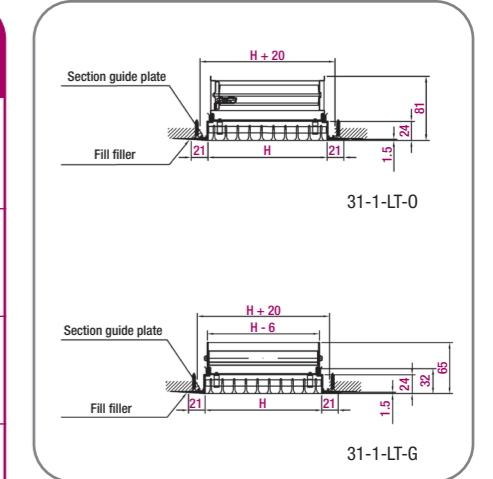
31-1/15-LT-O. Linear grille with concealed frame and fixed blades (0° or 15° deflection), with volume control damper (-O).

General dimensions



Selection table

Size	Q (m³/h)	Supply				Return	
		L _{WA} [dB(A)]	V _k (m/s)	ΔP _t (Pa)	X (m)	L _{WA} [dB(A)]	ΔP _t (Pa)
400 x 125	345	24	3,8	10	3,4	30	19
500 x 100	470	32	5,2	18	4,6	38	36
1000 x 50	645	40	7,1	34	6,3	46	67
300 x 250	500	24	3,5	8	3,9	30	16
500 x 150	680	32	4,8	16	5,4	38	31
1000 x 75	930	40	6,6	30	7,3	46	57
400 x 250	635	24	3,4	8	4,3	30	15
800 x 125	865	32	4,6	14	5,9	38	28
1000 x 100	1180	40	6,3	27	8,1	46	52
500 x 250	815	24	3,2	7	4,8	30	13
800 x 150	1110	32	4,4	13	6,5	38	25
1000 x 125	1520	40	5,9	24	8,9	46	47
500 x 300	945	24	3,1	7	5,1	30	13
600 x 250	1295	32	4,2	12	6,9	38	24
1000 x 150	1765	40	5,8	23	9,5	46	44
500 x 400	1255	24	2,9	6	5,7	30	11
800 x 250	1715	32	4,0	11	7,8	38	21
1000 x 200	2345	40	5,4	20	10,6	46	39
650 x 200	1510	24	2,8	5	6,1	30	10
1000 x 250	2065	32	3,8	10	8,3	38	20
1300 x 100	2825	40	5,2	19	11,4	46	36
1000 x 300	1760	24	2,7	5	6,5	30	10
1200 x 250	2405	32	3,7	9	8,9	38	18
1500 x 200	3285	40	5,1	18	12,1	46	34



LEGEND

Q (m³/h): Air flow.
L_{WA} [dB(A)]: Sound power level.
ΔP_t (Pa): Total pressure loss.
X (m): Throw for a maximum velocity of 0.5 m/s.
V_k (m/s): Effective velocity.

The Selection Table shows a summary of dimensions. Other sizes available. Consult the Sales Department.