

CDPR



Multi-directional round diffuser

Product description

KOOLAIR, **CDPR**, size _ mm (Ø connection) perforated plate round diffuser, hanged from the ceiling. The configuration of the diffuser allows the radial air jet supply to be configured in 1, 2 or 3 directions to suit the needs of the end user. Removable faceplate to allow the interior of the diffuser to be cleaned and provide access to the control damper and the air jet setting system. It can incorporate plenum connection with regulation damper. Finish in RAL colour of choice.

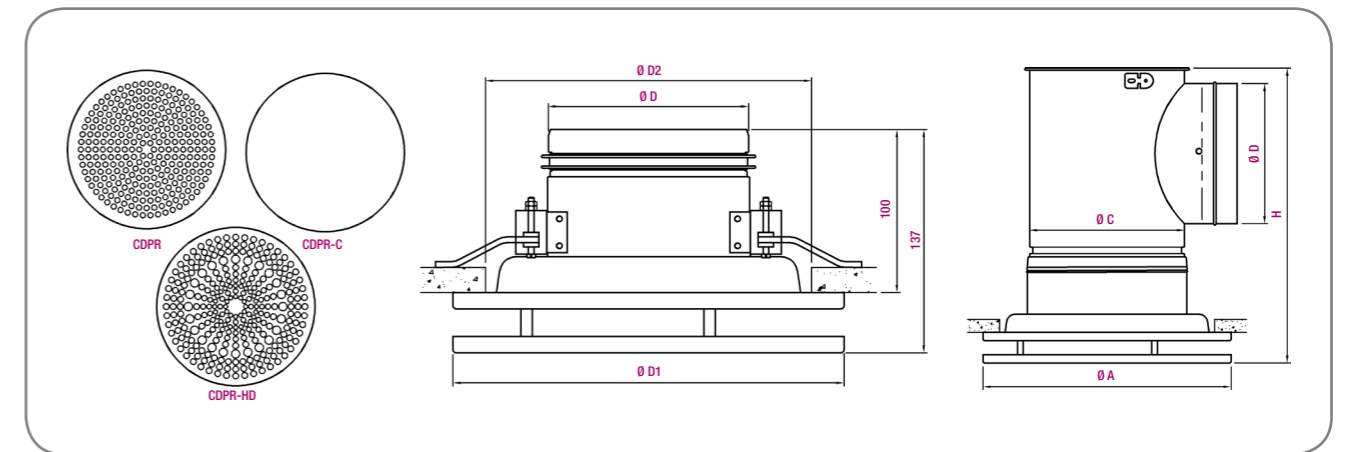
Others models

- CDPR-HD.** Perforated plate round diffuser with perforations arranged in a decreasing concentric circle design.
- CDPR-C.** Plate round diffuser with a smooth design (no perforations).
- CDPR-R.** Perforated plate round diffuser for air return.
- CDPR-HD-R.** Perforated plate circular diffuser for return air with perforations arranged in a decreasing concentric circle design.
- CDPR-C-R.** Plate round diffuser for return air with a smooth design (no perforations).

Mounting

- PCFS-RE.** Round plenum with top connection complete with galvanised sheet steel control damper. (-A. Interior insulated).
- PCFL-RE.** Round plenum with side connection complete with galvanised sheet steel control damper. (-A. Interior insulated).
- SFO.** Incorporates hidden fastening system.

General dimensions



Custom plenums available to suit reduced heights above false ceilings.

Diffuser	Ø D	Ø D1	Ø D2
100	98	240	200
125	123	240	200
160	158	300	260
200	198	360	320
250	248	460	420
315	313	540	500
400	398	540	500

Unit size in mm - diffuser only

Diffuser	Ø A	Ø C	Ø D	H
100	240	103	98	290
125	240	128	123	315
160	300	163	158	350
200	360	203	198	390
250	460	253	198	440
315	540	318	248	505
400	540	403	313	590

Unit size in mm - diffuser + plenum

Selection Table

Technical data corresponding to CDPR model without plenum

Size	Q (m³/h)	L _{WA} [dB(A)]	ΔP _t (Pa)	X (m)	V _e (m/s)
100	140	24	13	1,3	2,0
	180	32	22	1,7	2,6
	235	40	37	2,2	3,4
125	160	24	13	1,4	2,1
	205	32	21	1,9	2,7
160	260	40	35	2,4	3,5
	200	24	9	1,7	2,2
	260	32	16	2,1	2,8
200	335	40	26	2,8	3,6
	260	24	7	1,9	2,2
	335	32	12	2,5	2,9
250	435	40	20	3,2	3,7
	350	24	7	2,3	2,3
	450	32	11	2,9	3,0
315	585	40	18	3,8	3,9
	550	24	6	2,9	2,5
	710	32	10	3,8	3,2
400	920	40	17	4,9	4,2
	800	24	7	3,8	2,9
	1040	32	12	4,9	3,7
	1340	40	20	6,3	4,8

LEGEND

- Q (m³/h): Air flow.
- L_{WA} [dB(A)]: Sound power level.
- ΔP_t (Pa): Pressure loss.
- X (m): Horizontal throw of air jet for a velocity of 0.25 m/s in occupied zone, temperature difference ΔT = -10° C and an installation height of 3 m.
- V_e (m/s): Effective velocity.