

## DCLT



### Circular diffuser

#### Product description

KOOLAIR hidden circular diffuser, model **DCLT**, size \_ mm (connection Ø), for installation in suspended drywall ceilings.

Characterised by the lack of profile on show.

Complete with movable central core to discharge air horizontally and vertically.

Option to include a regulating damper and/or plenum with lateral/top connection.

Painted finish in RAL colour of choice.

Recommended installation height between 2.5 and 5 m.

#### Mounting

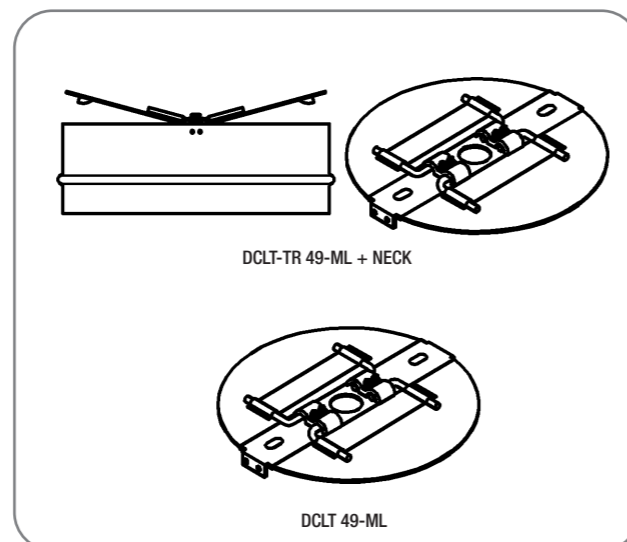
**49ML.** Regulating damper.

**PCFS.** Top connection circular plenum in galvanized steel sheet. (-A. internally insulated).

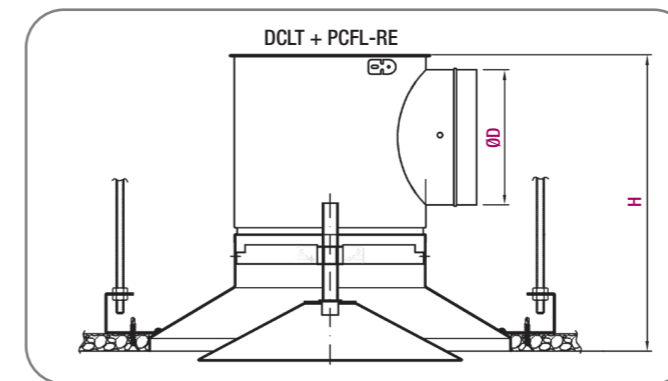
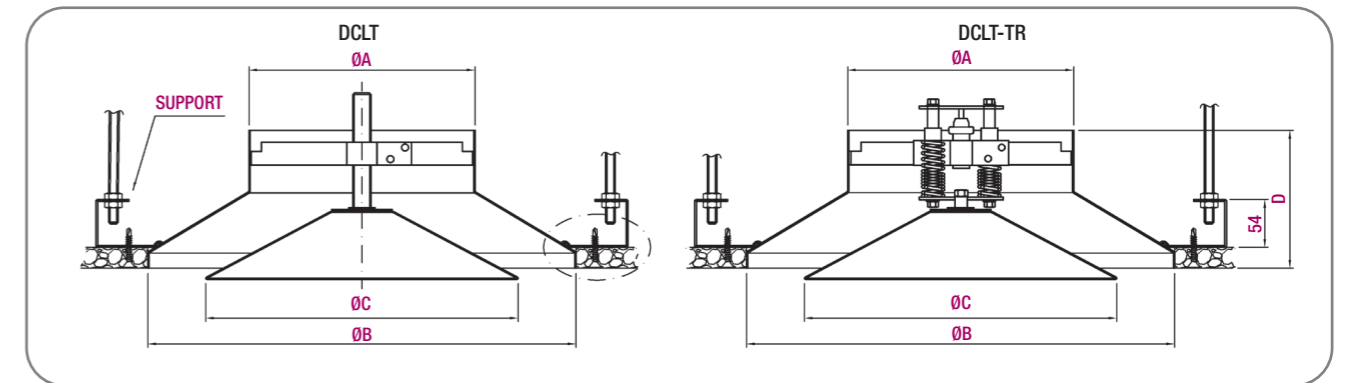
**PCFL.** Lateral connection circular plenum in galvanized steel sheet. (-A. internally insulated).

#### Other models

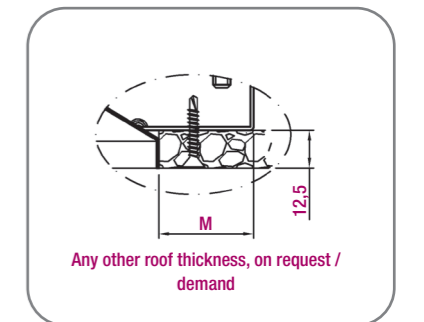
**DCLT-TR.** Temperature-adjustable circular diffuser.



#### General dimensions



#### Installation detail



Model	Ø A	Ø B	Ø C	M	Ø D	K	H	SUPPORTS
125	124	245	207	25	124	90	269	2
160	159	276	221	30	159	87	301	3
200	199	370	286	40	199	111	365	3
250	249	452	359	45	249	119	423	3
315	314	550	460	47	314	136	505	3

Unit mm

#### LEGEND

Q (m³/h): Air flow.

L<sub>WA</sub> [dB(A)]: Sound power level.

ΔP<sub>t</sub> (Pa): Total pressure loss.

X (m): Throw for a maximum velocity of 0.25 m/s at the occupied zone

ΔT = -10 °C (cold), installed at a height of 3 m.

Y<sub>max</sub> (m): Maximum vertical penetration at ΔT = +10 °C (heating).

#### Selection table (Horizontal discharge)

Dimension	Q (m³/h)	L <sub>WA</sub> [dB(A)]	ΔP <sub>t</sub> (Pa)	X (m)
125	135	24	11	0,5
	180	32	18	0,7
	230	40	30	0,9
160	160	24	11	0,6
	230	32	20	0,9
	300	40	36	1,2
200	300	24	15	1,0
	390	32	23	1,3
	515	40	41	1,7
250	480	24	14	1,4
	600	32	24	1,7
	800	40	42	2,3
315	720	24	15	1,8
	860	32	23	2,2
	1150	40	40	2,9

#### Selection table (Vertical discharge \*)

Dimension	Q (m³/h)	L <sub>WA</sub> [dB(A)]	ΔP <sub>t</sub> (Pa)	Y <sub>max</sub> (m)
125	140	32	24	3,3
	185	40	41	4,3
	240	48	70	5,6
160	215	32	28	3,5
	280	40	48	4,5
	365	48	82	5,9
200	265	32	17	2,4
	360	40	31	3,2
	495	48	58	4,4
250	470	32	21	3,3
	625	40	37	4,3
	840	48	67	5,8
315	760	32	21	3,8
	1000	40	37	5,0
	1300	48	62	6,5

\* Apply vertical discharge for ceiling heights > 3 m or with exposed installations.