

## DFRE-GR



Catalogue Series 40.3



### Fixed Blade Swirl diffuser

#### Product description

Fixed blade swirl diffuser with external coanda ring, KOOLAIR, model **DFRE-GR**, dimension  $\_$ . Incorporates side connection plenum box made in galvanised steel sheet, with spigot inlet volume control damper. Diffuser made in steel sheet and decorative ring in aluminum. Finished in any RAL colour upon request. Recommended installation height between 2.5 and 3.5 m and ideal for circular visible ducts.

#### Other models

**DFRE-GR-Q.** Swirl diffuser with external coanda ring, integrated in plate of 595x595 mm to be installed in false ceilings.

#### Mounting

**PCDL-RE.** Removable plenum box with side connection, internally non-insulated, made in galvanised steel sheet, with manual damper accessible from false ceiling.

**PCDL-A-RE.** Removable plenum box with side connection, internally insulated, made in galvanised steel sheet, with manual damper accessible from false ceiling.

**PCDL-RL.** Removable plenum box with side connection, internally non-insulated, made in galvanised steel sheet, with manual damper accessible from room.

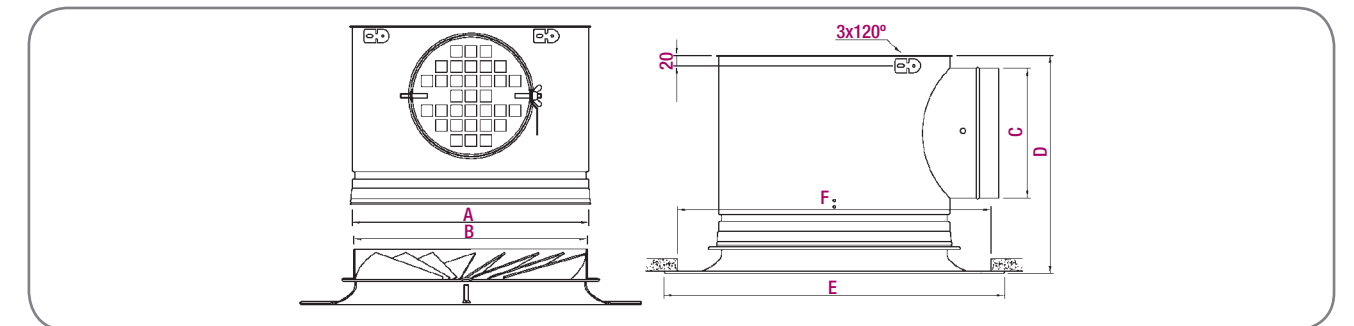
**PCDL-A-RL.** Removable plenum box with side connection, internally insulated, made in galvanised steel sheet, with manual damper accessible from room.

**RPM.** Damper equipped to allow motorization.

**PM.** Mounting bridge. To be used when installation is without a plenum.

*Note: On request, top plenum available insulated/ unisulated (PDS-A-RE/PDS-RE).*

#### General dimensions



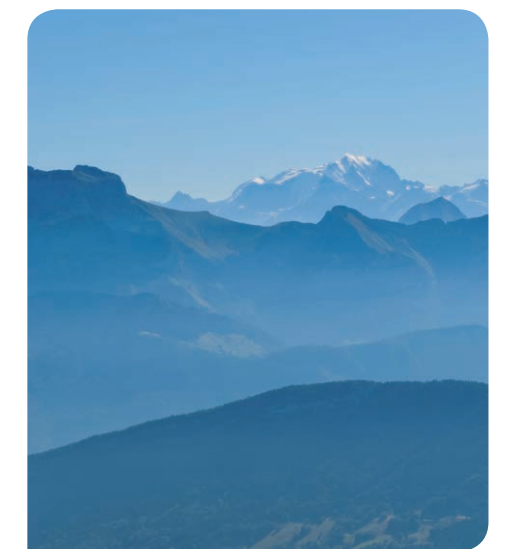
Custom plenums available to suit reduced heights above false ceilings.

Model	A	B	C	D	E	F
100	105	99	99	197	175	150
125	130	124	99	197	200	175
160	165	159	124	222	253	228
200	205	199	159	257	303	278
250	255	249	199	297	353	328
315	320	314	249	347	418	393
355	360	354	249	347	458	433
400	405	399	314	412	503	478
500	505	499	314	412	603	578

Unit mm

#### Selection table

Size	Q (m³/h)	L <sub>WA</sub> [dB(A)]	ΔP <sub>t</sub> (Pa)	X (m)
100	40	24	7	0,5
	55	32	14	0,7
	80	40	30	1,0
125	55	24	12	0,6
	78	32	24	0,9
	110	40	48	1,2
160	80	24	13	0,7
	115	32	27	1,0
	160	40	52	1,4
200	125	24	13	0,9
	175	32	26	1,3
	245	40	51	1,9
250	190	24	10	1,2
	260	32	19	1,6
	375	40	40	2,3
315	330	24	8	1,6
	460	32	16	2,2
	660	40	32	3,1
355	375	24	7	1,6
	575	32	14	2,3
	740	40	28	3,2
400	485	24	8	1,9
	660	32	14	2,5
	925	40	28	3,6
500	640	24	6	2,0
	890	32	12	2,8
	1250	40	23	4,0



#### LEGEND

Q (m³/h): Air flow.

L<sub>WA</sub> [dB(A)]: Sound power level.

ΔP<sub>t</sub> (Pa): Total pressure loss.

X (m): Throw for a maximum velocity of 0.25 m/s at the occupied zone ΔT = -10 °C (cold), installed at 3 m of height.