

DSA



Catalogue Series Floor



DSA



DSA-PR



DSA-HV



Floor diffuser

Product description

Floor circular diffuser with swirl function, KOOLAIR, **DSA** model, dimension \varnothing . In its interior it incorporates a swirl diffuser, and a dirt trap. Punched plate and decorative ring made in aluminium. Finished in aluminium or painted in RAL colour upon request.

The units have been tested and meet EN13264:2001 requirements. Study conducted using an area of 30x30 mm² in the middle of the diffuser.

Model	Size	Load (KN)
DSA/DSA-PR	Ø 150	2.5
	Ø 200	2.25
DSA-HV	Ø 200	2

Unit mm

Other models

DSA-PR. Floor circular diffuser, with swirl function, and frontal perforated plate made in steel sheet of 3 mm thick. More robust than the standard model.

DSA-HV. Floor circular diffuser, with swirl function, frontal plate and dirt trap made of ABS material. High induction model for large airflows.

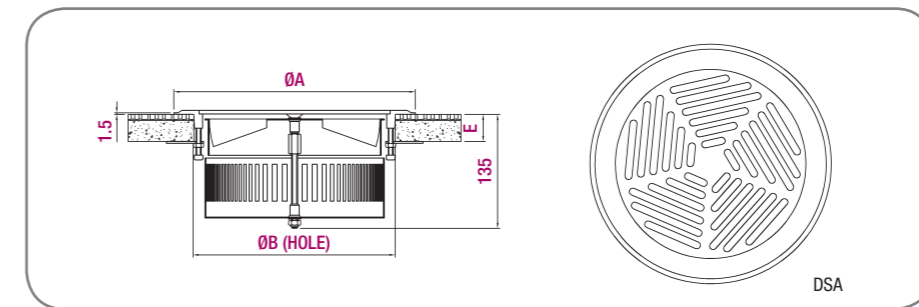
Painted in black RAL-9005 or gray RAL-9006.

Mounting

Without indication, fixed by hanging brackets.

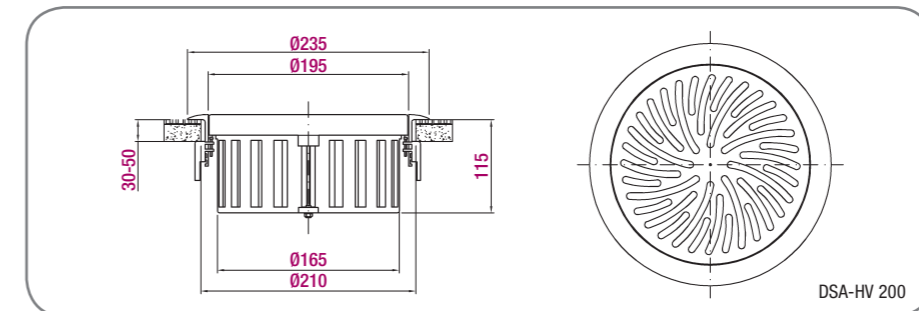
PF. Connection plenum box made of galvanised steel sheet. Please consult us for design details.

General dimensions



Size	ØA	ØB	E (min)	E (max)
150	190	150	14	50
200	240	200	19	50

Unit mm



Selection table (DSA)

Size	Q (m ³ /h)	L _{WA} [dB(A)]	ΔP _{est} (Pa)	h _{0,25} (m)			V _K (m/s)
				ΔT= -4°	ΔT= -6°	ΔT= -8°	
150	32	20	7	0.9	0.7	0.6	1.8
	41	26	11	1.1	1.0	0.8	2.3
	54	32	19	1.4	1.3	1.1	3.0
200	60	20	5	0.8	0.7	0.6	1.8
	78	26	8	1.0	0.9	0.8	2.3
	98	32	13	1.3	1.1	1.0	2.9

Selection table (DSA-PR)

Size	Q (m ³ /h)	L _{WA} [dB(A)]	ΔP _{est} (Pa)	h _{0,25} (m)			V _K (m/s)
				ΔT= -4°	ΔT= -6°	ΔT= -8°	
150	26	20	9	0.9	0.8	0.7	2.1
	33	26	17	1.2	1.1	0.9	2.9
	42	32	28	1.5	1.3	1.2	3.6
200	49	20	8	0.9	0.8	0.7	2.2
	62	26	12	1.0	0.9	0.8	2.8
	80	32	21	1.5	1.3	1.1	3.6

Selection table (DSA-HV)

Size	Q (m ³ /h)	L _{WA} [dB(A)]	ΔP _{est} (Pa)	h _{0,25} (m)			V _K (m/s)
				ΔT= -4°	ΔT= -6°	ΔT= -8°	
200	100	20	9	0.7	0.6	0.5	1.8
	140	26	13	1.1	1.0	0.9	2.2
	180	32	25	1.3	1.2	1.1	2.9



LEGEND

Q (m³/h): Air flow.
 L_{WA} [dB(A)]: Sound power level.
 ΔP_i (Pa): Pressure drop.
 ΔP_{est} (Pa): Static pressure.
 ΔT (°C): Difference between the air supplied temperature and the ambient.
 h_{0,25} (m): Vertical throw for a maximum air velocity of 0.25 m/s, and a determined (ΔT).
 V_K (m/s): Effective velocity.