

KLR-NARROW



Linear Slot Diffuser

Product description

KOOLAIR high-induction slot diffuser with a high level of aesthetics, model **KLR-NARROW** with 1 or 2-openings; length L mm, air passage through opening 8 mm, complete with movable directional blades every 100 mm to configure air discharge horizontally, vertically or at an angle. Ideal for installation in suspended ceilings with a slot width equal to or greater than 15 mm due to its small dimensions. Includes sheet steel fixed plenum for lateral connection. Made from extruded aluminium profiles. Anodised aluminium finish or painted in RAL colour (to be defined). Directional blades made of plastic, standard in RAL 9005. Recommended installation height between 2.5 and 4 m.

Note: Possible to form continuous lines (Maximum length per section 2000 mm).

On request, top plenum available insulated/ unisolated (PFS-A/PFS / PDS-A/PDS).

Other models

KLR-NARROW-CB. With 12,5 mm wide frame.

Mounting

PFL-RL. With fixed uninsulated plenum lateral connection. With damper.

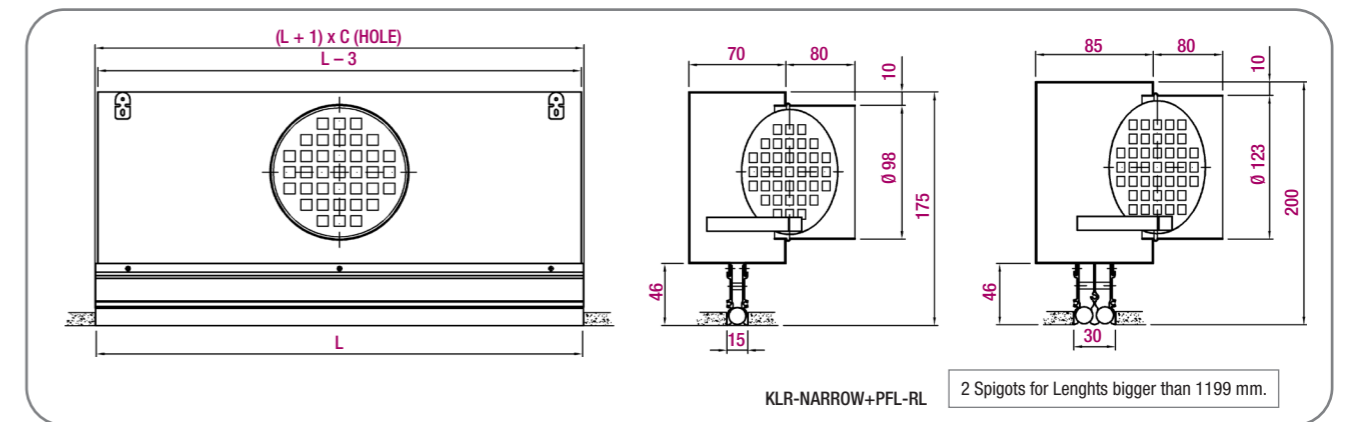
PFL-A-RL. With fixed insulated plenum lateral connection. With damper.

PDL-RL. With removable uninsulated plenum lateral connection. With damper.

PDL-A-RL. With removable insulated plenum lateral connection. With damper.

PM. Mounting bridges.

General dimensions KLR-NARROW

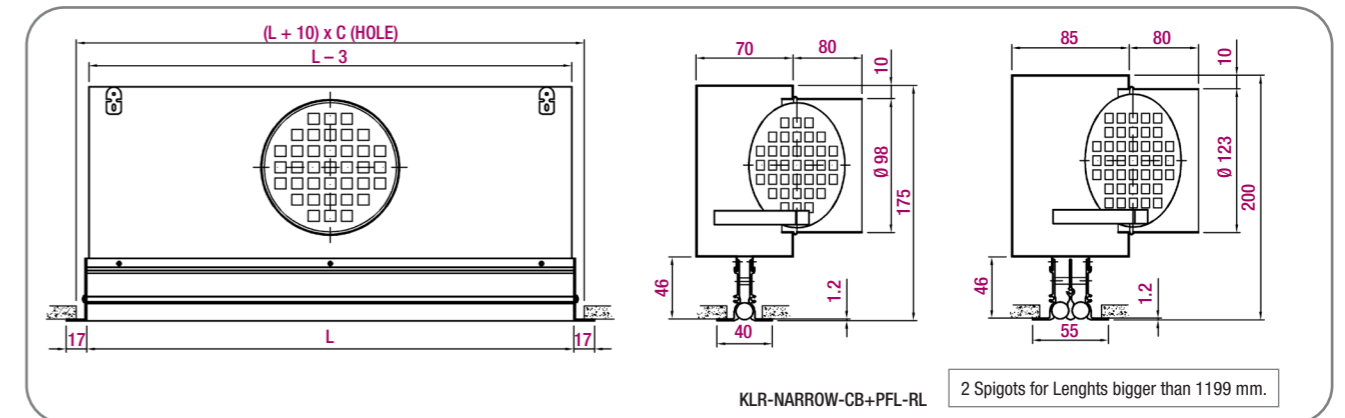


Custom plenums available to suit reduced heights above false ceilings.

No. of slots	C
1	16
2	31

Unit in mm

General dimensions KLR-NARROW-CB



Custom plenums available to suit reduced heights above false ceilings.

No. of slots	C
1	26
2	41

Unit in mm

Selection table

(Flow rate per linear metre of diffuser)

No. of slots	Dimension	Q (m³/h)	L _{WA} [dB(A)]	ΔP _t (Pa)	X (m)	V _k (m/s)
1	1000	45	24	9	1,3	3,2
		65	32	17	1,8	4,5
		90	40	33	2,4	6,3
2	1000	85	24	7	1,7	2,9
		115	32	14	2,3	4,0
		155	40	26	3,1	5,5

The Selection Table shows a summary of dimensions. Other sizes available. Consult the Sales Department.

LEGEND

- Q (m³/h): Air flow.
- L_{WA} [dB(A)]: Sound power level.
- ΔP_t (Pa): Total pressure loss.
- X (m): Throw for a maximum velocity of 0.25 m/s at the occupied zone.
- ΔT = -10 °C (cold), installed at 2.8 m of height.
- V_k (m/s): Effective velocity.