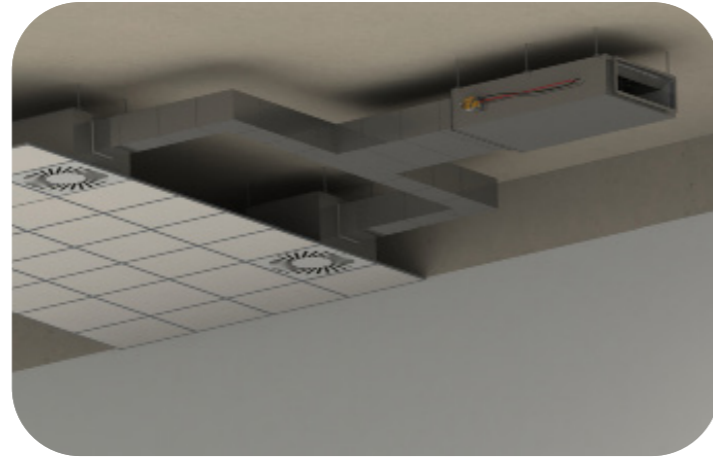
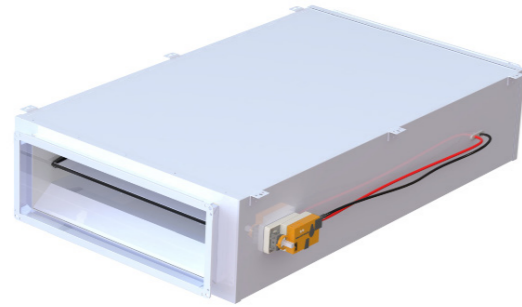


KLV



Terminal unit VAV

Product description

Terminal unit or box for variable or constant air flow regulation with high acoustic properties, KOOLAIR brand, KLV Series, for air supply (model KLV) and return (model KLVR) systems, with air velocities in duct between 0.7 and 8 m/s approximately. Available in 6 nominal sizes with overall length dimension of 1290 mm. Incorporates aerodynamic regulation damper, cruciform differential pressure measurement sensor for flow measurement, optimized design interior sound attenuator and proportional servomotor regulator to be determined.

Manufactured with galvanized steel sheet enclosures, interior thermo-acoustic insulation of glass wool with black fiberglass fabric coating on the face exposed to the air to prevent erosion and particle dragging, fire reaction classification A2-s1,d0. Compact design to be installed in false ceilings with limited space, with rectangular connection at the inlet and outlet of the box. Tightness of the blade and casing in compliance with EN 1751, class 4 and C respectively. Optimum accuracy in flow measurement, even with direct connection duct accidents at the entrance of the unit.

Accessories

Actuator/regulator. Specify manufacturer, maximum and minimum project flow rate when ordering. Possibility of damper closing by means of imperative commands.

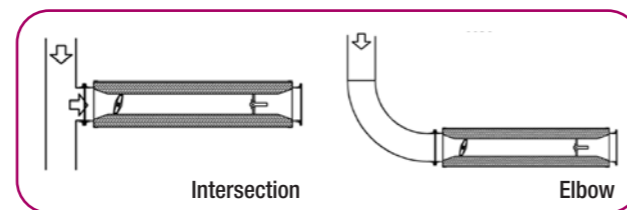
Outlet plenum. Plenum in galvanized steel sheet with specific outlet configuration (available upon request).

W. Water reheating battery: Specific dimensioning according to the project needs, consult technical department.

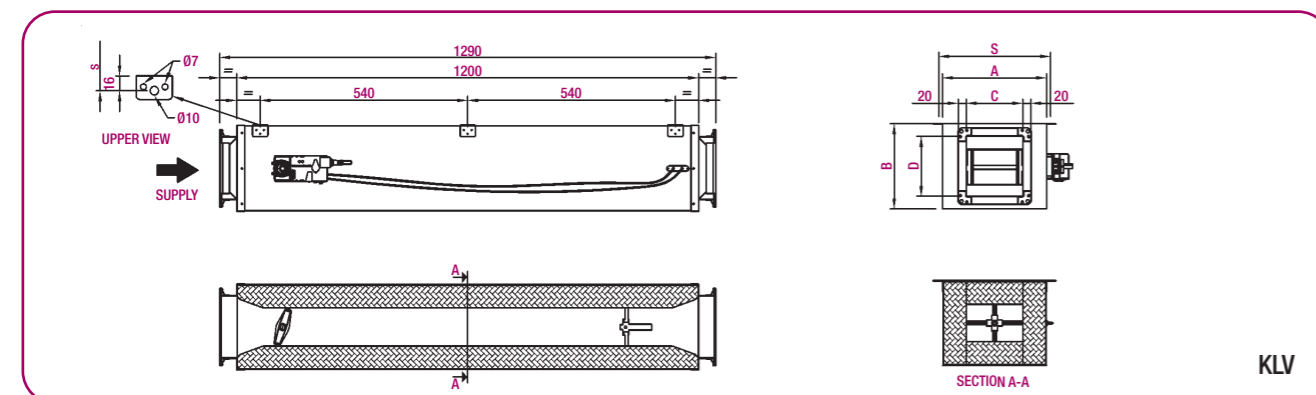
E. Reheat electric battery.

PAK. Additional silencer for greater attenuation of regenerated noise.

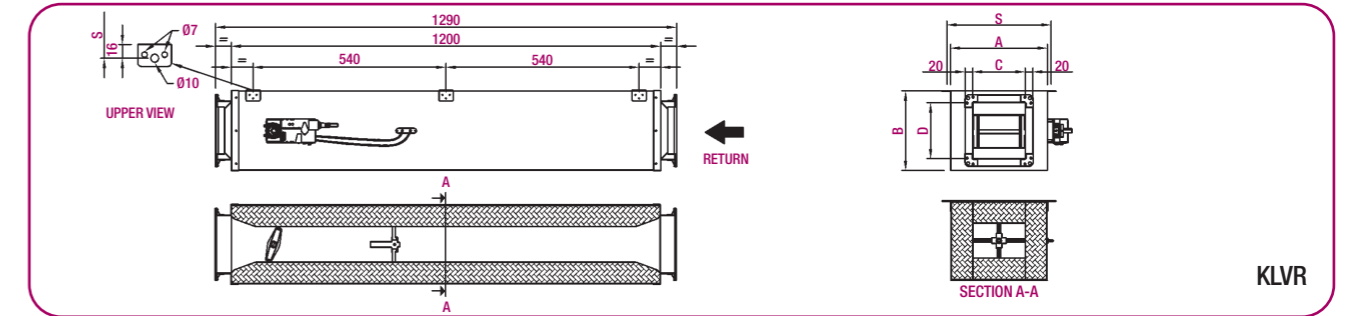
KLV-D. Additional external insulation for radiated noise reduction.



General dimensions



General dimensions



KLV / KLVR SIZE	OUTSIDE DIMENSION		INTERNAL DIMENSION		
	A	B	C	D	S
125	270	220	150	160	302
160	420	220	300	160	452
200	520	260	400	200	552
250	720	260	600	200	752
315	820	360	700	250	852
400	870	360	750	300	902

Supply and return dimensions.

Unit mm.

LEGEND

Q (m³/h): Air flow.

L_{pa}: Sound pressure level of the regenerated noise, in dB(A), considering a room attenuation of 10 dB/oct.

L_{pa2}: Sound pressure level of the radiated noise, in dB(A), considering a room attenuation of 10 dB/oct.

ΔP_{min}: Minimal differential pressure in Pa.

ΔP = 100/250 Pa: Differential pressure in Pa (measured at the inlet and outlet of the unit).

Selection table:

SIZE	Q(m³/h)	SUPPLY DATA - KLV						RETURN DATA - KLVR					
		ΔP _{min} (Pa)	Regenerated noise		Radiated noise		ΔP _{min} (Pa)	Regenerated noise		Radiated noise			
			Sound pressure L _{pa} dB(A)	ΔP=100 Pa	ΔP=250 Pa	Sound pressure L _{pa2} dB(A)		ΔP=100 Pa	ΔP=250 Pa	Sound pressure L _{pa} dB(A)	ΔP=100 Pa	ΔP=250 Pa	Sound pressure L _{pa2} dB(A)
125	81	2	<20	<20	<20	23	3	<20	<20	<20	21		
	162	7	20	23	23	28	10	<20	<20	<20	25		
	324	27	29	32	29	34	40	20	24	20	29		
	486	60	34	37	32	38	91	23	27	23	31		
	648	106	38	40	35	40	162	26	30	24	33		
160	162	1	<20	21	<20	25	2	<20	<20	<20	23		
	324	5	24	28	24	30	9	<20	22	<20	28		
	648	20	32	36	29	35	36	23	28	24	32		
	972	46	36	41	32	38	80	26	31	26	34		
	1296	82	39	44	34	40	143	29	34	28	36		
200	216	1	<20	<20	<20	25	2	<20	<20	<20	24		
	576	8	25	30	26	32	13	21	26	22	30		
	1152	32	32	38	31	36	54	26	32	27	34		
	1728	72	37	42	33	39	121	30	35	29	37		
	2304	127	40	45	35	41	216	32	38	31	39		
250	324	1	<20	22	20	26	2	<20	21	<20	24		
	864	9	26	32	26	31	17	22	29	23	31		
	1728	37	33	39	30	35	69	28	35	28	36		
	2592	84	37	43	32	38	155	31	38	31	38		
	3456	150	40	46	34	39	276	34	40	33	40		
315	567	1	<20	24	<20	23	2	<20	21	<20	26		
	1260	3	23	31	22	30	8	20	28	24	32		
	2520	12	29	38	28	36	34	26	33	29	37		
	3780	26	33	41	32	40	76	29	37	32	39		
	5040	46	36	44	35	42	135	32	39	34	41		
400	925	1	21	30	21	29	2	<20	27	21	28		
	2268	3	29	38	29	36	12	27	35	28	35		
	3024	5	31	40	31	39	22	29	37	30	37		
	4536	12	35	44	35	42	49	32	41	33	40		
	6040	22	37	46	37	45	86	35	43	35	42		