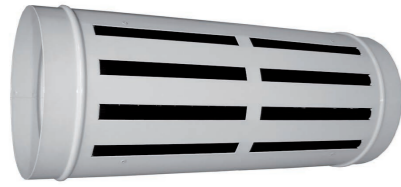


LK70-C



Catalogue Series LK-70



Linear slot diffuser integrated into a circular duct

Product description

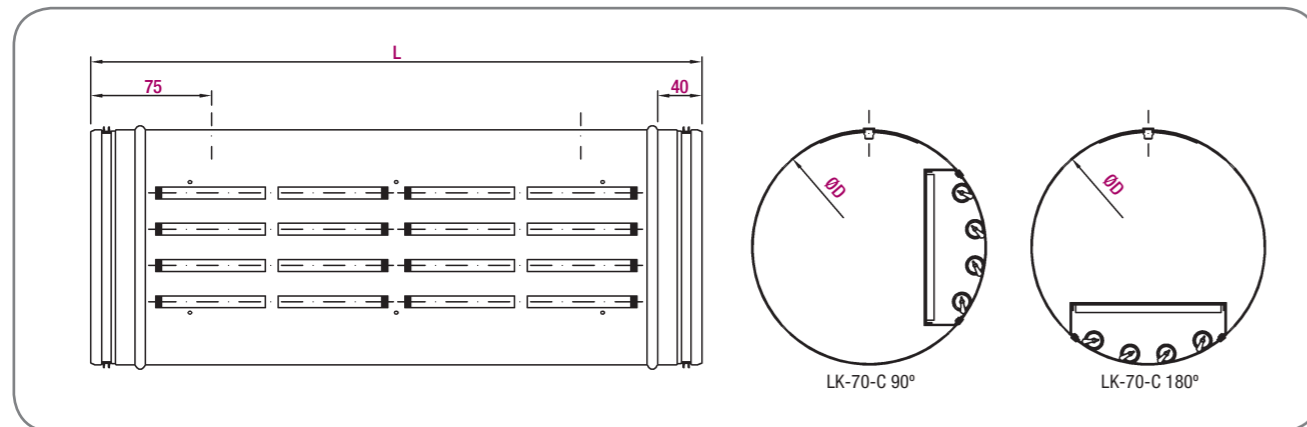
Supply linear slot diffuser, model **LK70-C**, suitable for variable and constant volume. Integrated into a circular duct made in galvanised sheet steel, equipped with adjustable blades by means of a wheel mechanism, allowing multiple air patterns. The diffuser is suitable for large airflows at low velocities into the occupied zone. Recommended installation height between 2.5 and 4m.

Incorporates slide type damper.
Interior insulated (optional).

Other models

LK-70-AC. Linear diffuser integrated in curved plate to adapt to circular duct.
Incorporates slide type damper.

General dimensions



Selection table

(Flow rate per linear metre of diffuser)

Size	Q (m³/h)	L _{wa} [dB(A)]	ΔP _t (Pa)	X (m)
LK70-C 1000-2	160	30	8	3.0
	200	35	12	3.8
	255	40	19	4.8
	320	45	30	6.0
LK70-C 1000-4	260	30	5	3.6
	325	35	9	4.4
	400	40	13	5.5
	490	45	19	6.7
LK70-C 1000-5	330	30	4	3.7
	420	35	7	4.8
	520	40	10	5.9
	625	45	15	7.1
LK70-C 1000-6	400	30	4	4.0
	490	35	6	4.9
	595	40	8	6.2
	750	45	13	7.5
LK70-C 1000-10	450	30	3	4.1
	560	35	5	5.1
	690	40	8	6.4
	870	45	12	7.9
LK70-C 1000-12	500	30	3	3.0
	620	35	5	5.2
	780	40	7	6.6
	960	45	11	8.1
LK70-C 1000-14	570	30	3	4.3
	700	35	4	5.4
	880	40	6	6.8
	1070	45	9	8.2



LEGEND

Q (m³/h): Air flow.
L_{wa} [dB(A)]: Sound power level.
ΔP_t (Pa): Total pressure loss.
X (m): Throw for a maximum velocity of 0.25 m/s at the occupied zone
ΔT = 0 °C (isothermal conditions), installed at a height of 3m.

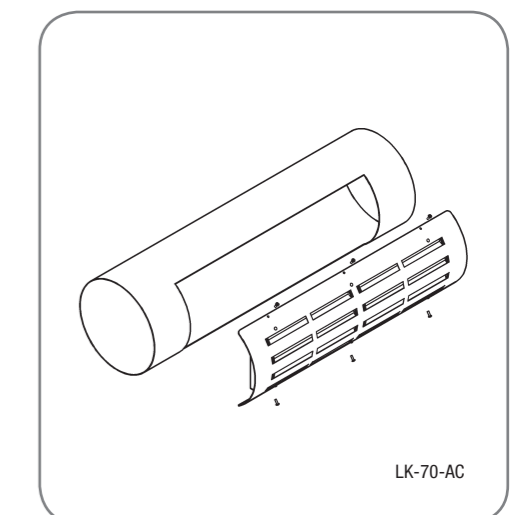
The data presented by meter and duct velocity of Vp < 6 m/s

The Selection Table shows a summary of dimensions. Other sizes available. Consult the Sales Department.

Dimensions

Ø Nominal	N° of Rows							D
125	2	-	-	-	-	-	-	123
160	2	4	-	-	-	-	-	158
200	2	4	-	-	-	-	-	198
225	2	4	-	-	-	-	-	223
250	2	4	-	-	-	-	-	248
300	2	4	6	-	-	-	-	298
315	2	4	6	-	-	-	-	313
355	2	4	6	8	-	-	-	353
400	2	4	6	8	-	-	-	398
450	2	4	6	8	-	-	-	448
500	2	4	6	8	10	12	14	498
630	2	4	6	8	10	12	14	628
710	2	4	6	8	10	12	14	708
800	2	4	6	8	10	12	14	798
900	2	4	6	8	10	12	14	898

L	500	750	1000	1250	1500	1750	2000
N° of Slots per row	3	4	6	7	8	10	12
N° of Sections	1		2				



LK-70-AC

Unit mm