

S-72-21



Catalogue Series 70.1



Linear diffuser



Product description

Linear diffuser with narrow external frame and air passage of 21 mm per slot, Koolair **S-72-21** model, of _slots, of length _ mm with moveable directional slats for lateral or vertical air discharge. Lateral connection plenum box in galvanized steel sheet; includes volume control damper. Manufactured of extruded aluminium sections. Natural anodized aluminum finish or painted in RAL colour upon request. Recommended installation height of 2.5 to 4 m.

Other models

S-72-21-Plate. Linear diffuser, built into plate of dimensions LxH, for installation in modular drop ceiling.

S-71-21. Linear diffuser with narrow external frame and air passage of 21 mm per slot and without directional blade. For returning air.

Mounting

PFL-RL. With fixed uninsulated plenum lateral connection. With damper.

PFL-A-RL. With fixed insulated plenum lateral connection. With damper.

PDL-RL. Removable, by bridges, side connection plenum box, without insulation and made in galvanised sheet steel.

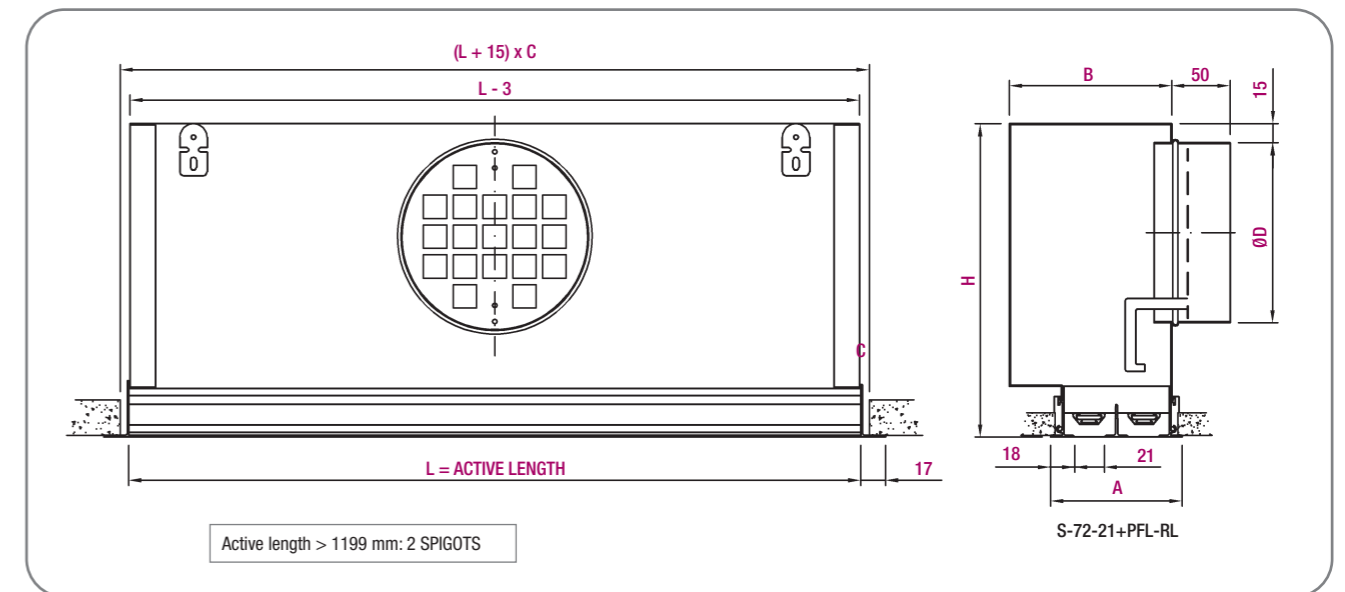
PDL-A-RL. Removable, by bridges, side connection plenum box, internally insulated and made in galvanised sheet steel.

PM. Mounting bridge.

Note: Possible to form continuous lines (Maximum length per section 2000 mm).

On request, top plenum available insulated/ uninsulated (PFS-A/PFS / PDS-A/PDS).

General dimensions



Custom plenums available to suit reduced heights above false ceilings.

N° of Slots	A	B	C	Ø D	H
1	57	80	53	159	275
2	96	119	92	199	325
3	135	158	131	199	325
4	174	197	170	199	325
5	213	236	209	249	375
6	252	275	248	249	375

Unit mm



Selection table

(Flow rate per linear metre of diffuser)

N° of Slots	Dimension	Q (m³/h)	L _{wa} [dB(A)]	ΔP _t (Pa)	X (m)	V _k (m/s)
1	1000	115	24	8	2,4	2,7
		165	32	17	3,5	3,9
		210	40	28	4,4	5,0
2	1000	190	24	6	2,8	2,3
		255	32	10	3,8	3,0
		345	40	19	5,1	4,1
3	1000	275	24	5	2,8	2,2
		370	32	10	3,7	2,9
		485	40	16	4,9	3,9
4	1000	340	24	5	3,6	2,0
		450	32	8	4,7	2,7
		600	40	14	6,3	3,6

The Selection Table shows a summary of dimensions. Other sizes available. Consult the Sales Department.

LEGEND

Q (m³/h): Air flow.
 L_{wa} [dB(A)]: Sound power level.
 ΔP_t (Pa): Total pressure loss.
 X (m): Throw for a maximum velocity of 0.25 m/s at the occupied zone
 ΔT = 0 °C (isothermal conditions), installed at a height of 3 m.
 V_k (m/s): Effective velocity.