

S90



Catalogue Series 90



S90-C



Displacement units

Product description

The **S-90** diffusers are displacement units for floor installation. The unit includes upper and lower covers and a perforated air distribution face plate. Connections can be made through the upper or lower cover.

The units are of galvanised steel sheet construction with aluminium sections and include an air equalising plate (painted in black) inside, as well as static pressure measurement to obtain the supply flow rate. The standard finish is RAL 9010 white paint, although any RAL colour is available upon request. The **S-90** displacement diffusers can be used in both comfort and industrial environments. Air is supplied from the occupied area level at a slow outlet velocity (< 0.8 m/s) to minimise turbulence. Depending on the size, the units can also supply large air volumes. Air is supplied at a temperature difference of -1 to -6°C with respect to the ambient temperature. See **S-90** catalog for technical data.

Other models

S-90-C. Round. Dimensions between \varnothing 125 to 630 mm.

S-90-SC. Semicircular. Dimensions between \varnothing 160 to 630 mm.

S-90-CC. Quadrant. Dimensions between \varnothing 160 to 630 mm.

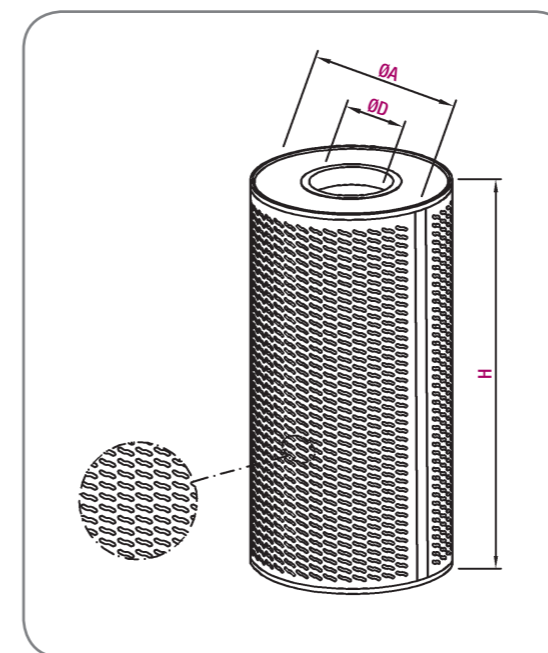
S-90-R. Rectangular. Standard dimensions LxH; L: 600-1200 mm and H: 800-2000 mm.

S-90-R-3. 3-Way Rectangular. Standard dimensions LxH; L: 600-1200 mm and H: 800-2000 mm.

S-90-RT. Horizontal Rectangular. Standard dimensions LxH; L: 800-2000 mm and H: 200-800 mm.

S-90-R-E. Flush-mounted Rectangular. Standard dimensions LxH; L: 400-900 mm and H: 400-600 mm.

General dimensions



Size	A	C	H	D
160	335	325	900	160
200	375	365	900	200
250	430	420	1200	250
315	495	480	1500	315
400	580	565	1800	400
500	680	665	2000	500
630	810	795	2000	630

Unit mm

Selection table

Model	Q (m³/h)	L _{wa} [dB(A)]	ΔP _t (Pa)	X (m)
125	225	25	15	2.7
	270	30	21	3.5
	310	35	30	4.0
160	320	25	13	2.5
	380	30	17	3.0
	460	35	25	3.6
200	460	25	10	3.0
	550	30	14	4.0
	650	35	20	4.7
250	650	25	9	3.7
	770	30	12	4.6
	930	35	17	5.5
315	1,000	25	7	2.8
	1,100	30	10	3.1
	1,350	35	14	4.8
400	1,400	25	6	3.3
	1,650	30	8	3.8
	1,950	35	12	4.5
500	1,950	25	5	4.1
	2,300	30	7	5.9
	2,800	35	10	6.0
630	2,800	25	4	5.5
	3,400	30	6	6.9
	4,000	35	8	8.0



LEGEND

Q (m³/h): Air flow.
 L_{wa} [dB(A)]: Power noise level.
 ΔP_t (Pa): Pressure loss.
 X (m): Horizontal throw of the air jet, when the velocity in the occupied area is 0.20 m/s for a temperature difference of ΔT = -3 °C.