

## GPD



GPD



GPDI



### Exhaust/supply outlets

#### Product description

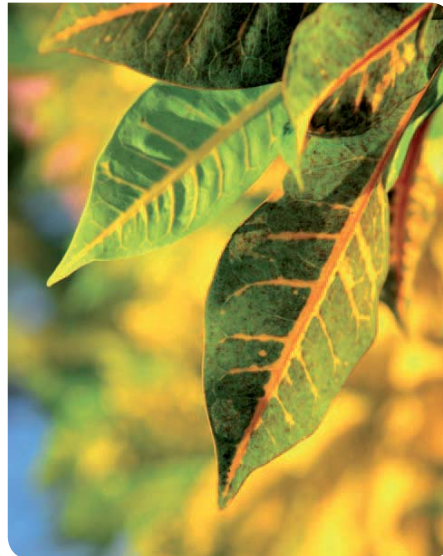
Exhaust/supply outlets, KOOLAIR, **GPD** model - for use in confined spaces (bathrooms, lavatories, kitchens, etc). Standard finish in RAL 9010.

#### Other models

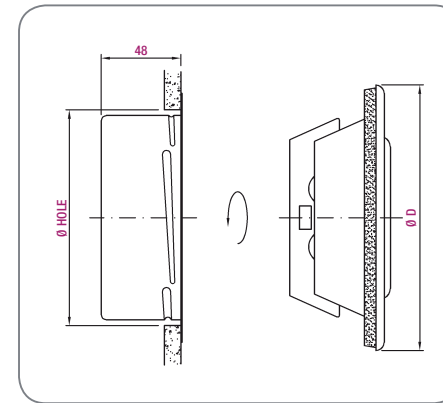
**GPD**. Exhaust outlet.  
**GPDI**. Supply outlet.

#### Mounting

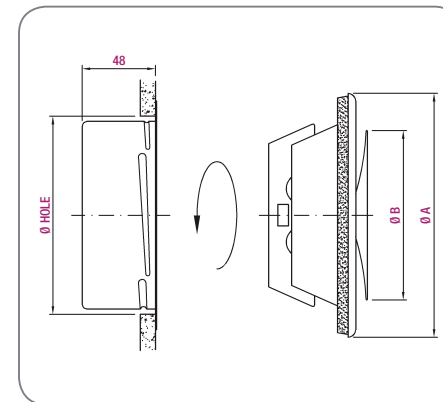
With metal mounting ring.



#### General dimensions GPD



#### General dimensions GPDI



Model	Ø D	Ø Hole
GPD-80	116	85
GPD-100	138	105
GPD-125	165	130
GPD-150	200	155
GPD-160	208	165
GPD-200	250	205

Unit mm

GPDI, ØA similar to ØD

#### Selection table

Dimension	Q (m³/h)	L <sub>wa</sub> [dB(A)]	ΔP <sub>t</sub> (Pa)
80	83	25	40
	101	30	68
	122	35	90
100	108	25	50
	133	30	80
	162	35	125
125	166	25	55
	205	30	80
	245	35	100
150	209	25	50
	252	30	70
	292	35	90
160	230	25	70
	288	30	120
	353	35	155
200	432	25	50
	504	30	80
	612	35	110

#### Selection table

Dimension	Q (m³/h)	L <sub>wa</sub> [dB(A)]	ΔP <sub>t</sub> (Pa)
80	50	25	25
	61	30	50
	72	35	70
100	72	25	45
	86	30	60
	108	35	75
125	144	25	40
	173	30	55
	205	35	70
150	212	25	40
	245	30	60
	288	35	70
160	180	25	30
	209	30	48
	234	35	65
200	288	25	32
	360	30	50
	432	35	70

#### LEGEND

Q (m³/h): Air flow.

L<sub>wa</sub> [dB(A)]: Sound power level.

ΔP<sub>t</sub> (Pa): Total pressure loss.